



Commercial Cabling Solutions

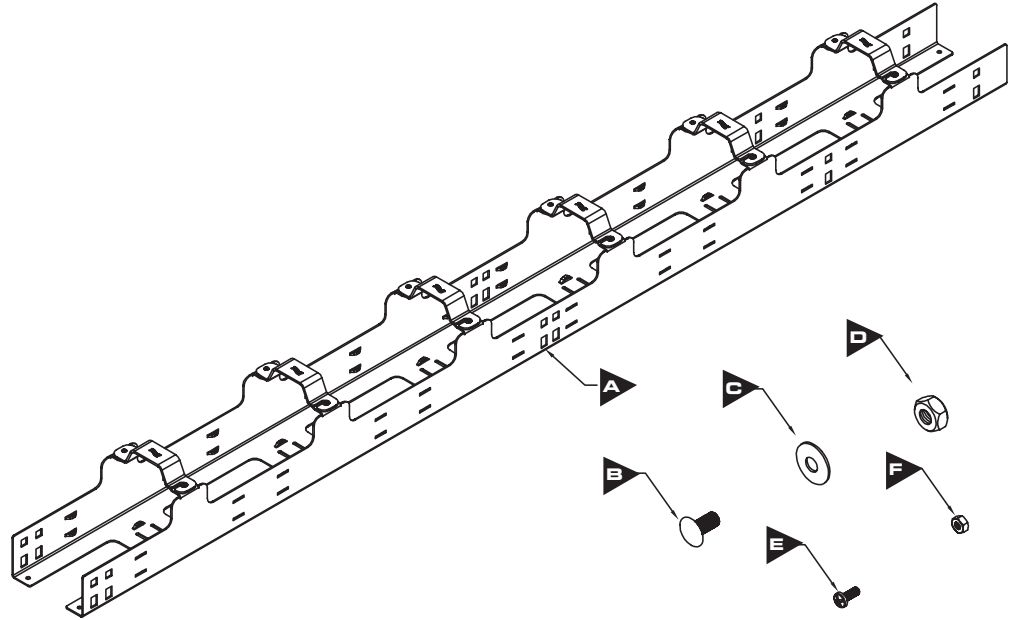
Cable Channel, Vertical Black 6.5 Ft.

ICCMSCC6BK Vertical Channel

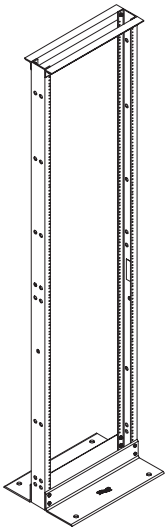
Ensure all parts and hardware is included in the packaging box. Box should contain:

- A** 6.5ft Vertical Channel, 1 piece
- B** Carriage Bolt, 12 pieces
- C** Washer, 12 pieces
- D** Hex Nut, 12 pieces
- E** Mounting Screws, 4 pieces
- F** Mounting Screw Nuts, 4 pieces

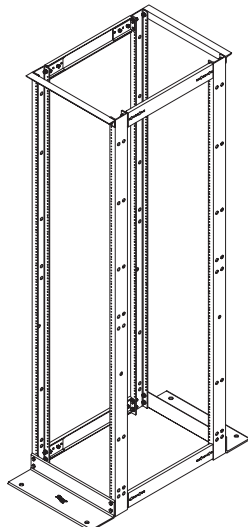
Product Specifications
 Material: 5052-H32 .090 Aluminum
 Finish: Black Powder Coat
 Hardware: Zinc Plated



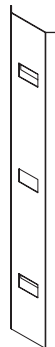
Compatible Accessories



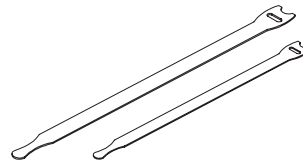
ICCMSR1984
19" Distribution Rack



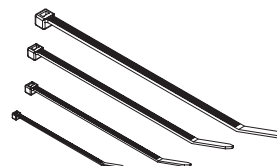
ICCMSR4P84
19" 4-Post Distribution Rack



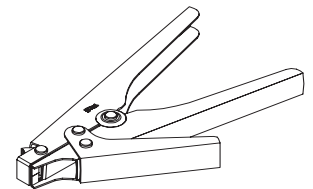
ICCMSCCVBK
3 ft. Vertical Cable Channel Cover



ICACSV08XX
ICACSV12XX
Velcro Cable Ties



ICACSSXXNL
ICACSMXXNL
ICACSLXXNL
ICACSAEXXL
Nylon Cable Ties



ICACSTCTFD
Economy Cable Tie Installation Tool

Premium**Products** • Proven**Performance** • Competitive**Prices**

ASSEMBLY INSTRUCTIONS

- Step 1. Prepare the hardware to be used.
 - Step 2. Align the Vertical Cable Management Channel's mounting slots with the side rail holes on the rack.
 - Step 3. Use a minimum of three mounting slot to install the Carriage Bolts, washer, and nuts to secure the Vertical Cable Management Channel with the Distribution Rack as shown in Fig.1.
- NOTE:** The Vertical Cable Management Channel can be mounted back to back as shown in Fig.2.

Fig 1.

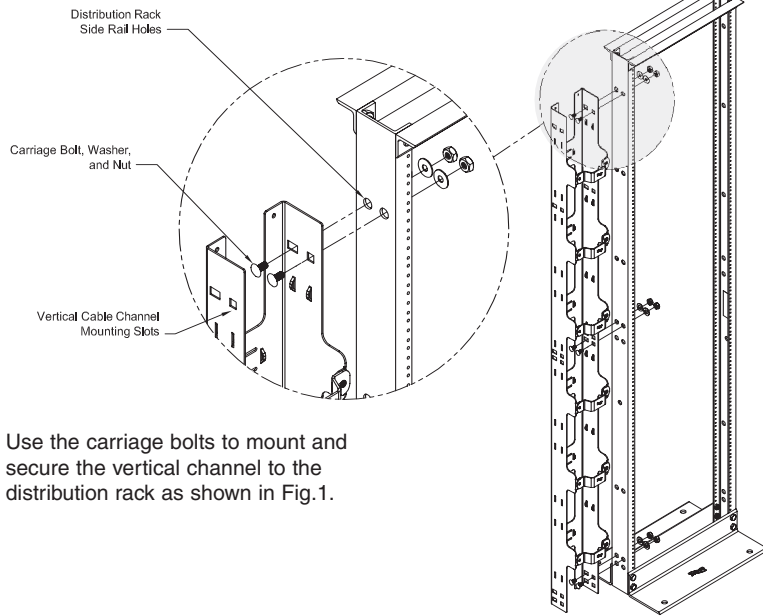


Fig 2.

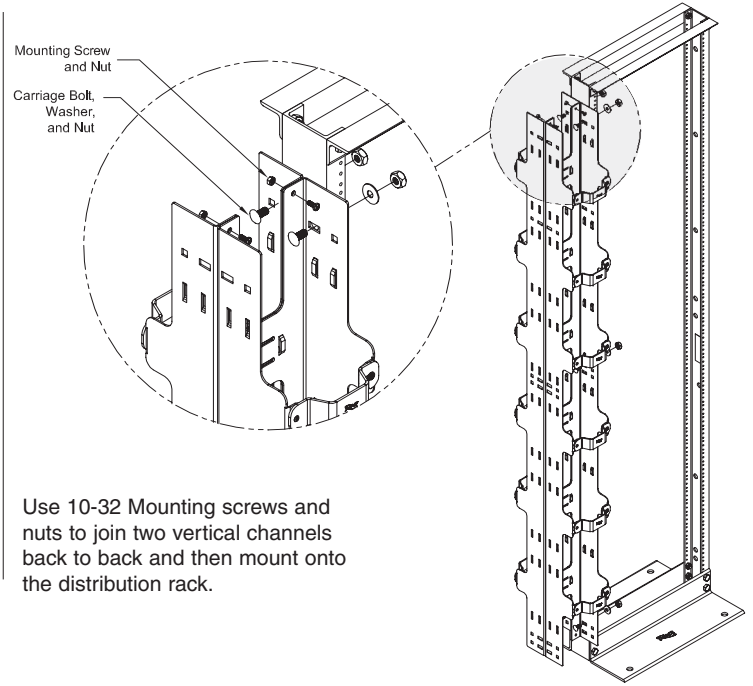
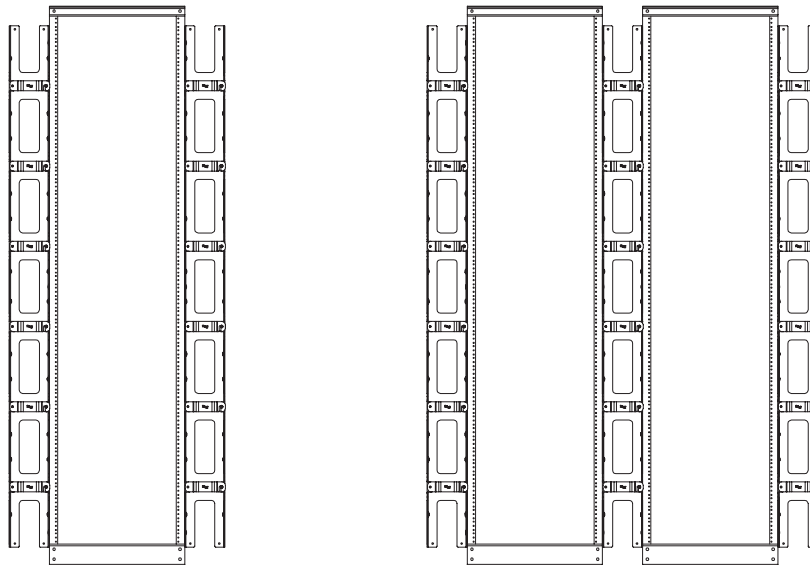


Fig 3.



Single Rack Application

Multiple Racks Application

ICC's Vertical Cable Channel can serve to join two 2-Post Distribution Racks or 4-Post Distribution Racks side by side as shown in Fig. 3.

CUSTOMER CARE / TECHNICAL SUPPORT • CSR@ICC.COM / 888-275-4422 (ASK-4-ICC)