

OMNI VIEW SD CONTROLLER SERIES



INTELLIGENT KEYBOARDS

SDC5LCDN

- ▶ 5" TFT LCD Adjustable Color Monitor
- ▶ External Junction Box for Connections to Domes, Multiplexers and DVRs
- ▶ On Screen Menus

SDK162J

- ▶ 16 x 2 Line LCD Display
- ▶ Optional use of External Junction Box or Direct Connection to Keyboard for Domes, and External Switching Devices
- ▶ Stylish Design with Jog/Shuttle Control

COMMON FEATURES FOR SDC5LCDN & SDK162J

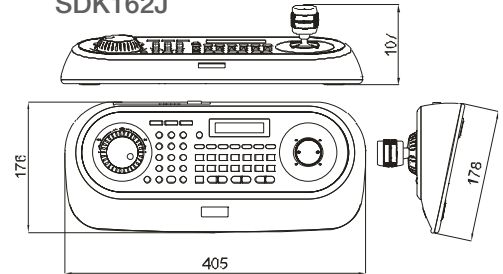
- ▶ 3-Axis Joystick Control of PTZ Functions
- ▶ Excellent System Compatibility with Multiple Protocols
- ▶ Multi-User Support (1-Master & UP to 3-Slave keyboards)
- ▶ (Slave keyboards must be the same Model as the Master)
- ▶ Up to 254 Dome Cameras Controllable including 64 Dome Cameras with Alarm Mode
- ▶ Multiplexers and DVR Systems can be Controlled Remotely at each KBD Controller Regardless Master or Slave
- ▶ Up to Two Dome Cameras' Programmed Data can be Downloaded to Nonvolatile Memory Space, and Later Uploaded to new Dome Cameras
- ▶ Program and Recall Programmed Preset Positions, Auto Scan, Tour, Pattern, for the Selected Dome Camera
- ▶ Program Spot Monitor Switching in the KBD Controller Menu for up to 8 different Sequence Patterns
- ▶ Weekly and Annual Schedule of all Program Functions

SPECIFICATIONS

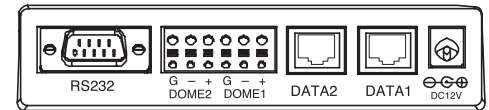
MODEL	SDK162J	SDC5LCDN
LCD	16 X 2 Line LCD	5" TFT LCD
PTZ Control	Pan/tilt/zoom: Joystick Zoom/Focus/Iris key switches	Pan/tilt/zoom: Joystick Zoom/Focus/Iris key switches
Input Voltage	12 VDC	12VDC
Power Consumption	6W	15W
Communications	RS-485/232 baud rate: 2400 ~38400 bps (default:9600bps)	RS-485/232 baud rate: 2400 ~230k bps (default:9600bps)
Dome1 Port (RS-485)	Up to 254 Dome Cameras including 64 Alarm Mode on	Up to 254 Dome Cameas including 64 Alarm Mode on
Dome2 Port (RS-485)	Slave keyboard / DVR / Multiplexer	Slave keyboard / DVR / Multiplexer
RS-232	DVR / UPGRADE	DVR / UPGRADE
Multiplexer Remote	Falcon Duplex / Triplex	Falcon Duplex / Triplex
DVR Remote	Will control all ATV DVRs	Will control all ATV DVRs
ID Selectable	1 ~ 3999 address	1 ~ 3999 address
Dimension	15.9 X 6.9 X 4.2 (Unit-inch) 405 x 176 x 107(Unit-mm)	15.75 x 9.06 x 4.53 (Unit-inch) 400 x 230 x 115 (Unit-mm)
Unit Weight	Approx 2.65lbs (1.2kg)	Approx 4.0 lbs (1.8 kg)
Shipping Weight	Approx 4.85lbs (2.2kg)	Approx 8.4 lbs (3.8kg)
Shipping Size	19.7 x 9.1 x 6.3 (Unit-inch) 500 x 230 x 160 (Unit-mm)	17.8 x 11.14 x 6.38 (Unit-inch) 452 x 283 x 162 (Unit-mm)
Operating Temperature	(32°F to 122°F) 0°C to 50°C	(32°F to 122°F) 0°C to 50°C
Operating Humidity	0 to 90%RH (non-condensing)	0 to 90%RH (non-condensing)
Storage Temperature	(-4°F to 140°F) -20°C to 60°C	(-4°F to 140°F) -20°C to 60°C
Conformity Certifications	CE EMC, FCC CLASS A	CE EMC, FCC Class A

DIMENSIONS

SDK162J

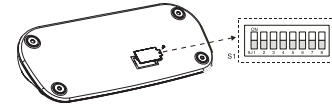


Connectors

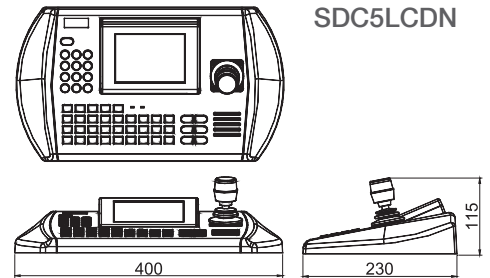


Dip Switch Settings

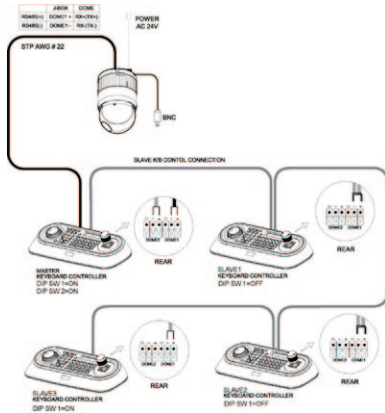
Termination and Master/Slave: Set the switches according to your configuration.



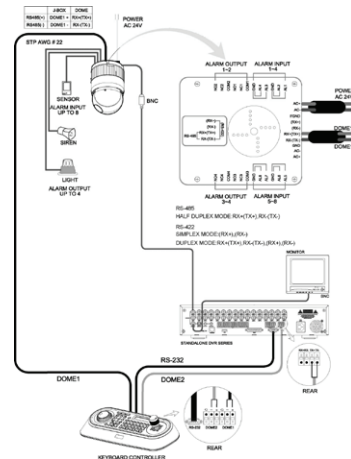
SDC5LCDN



Configuration of Master and Slave Keyboards



Configuration with DVR.



Install with Standalone DVR Series

