

HIGH SPEED 36X PTZ DOME WITH ON-BOARD VIDEO ANALYTICS

Powered by **IQ²**™ Technology

PTZ DOME

SD536DWA

- ▶ High Image Quality Resolution (540TVL) with 1/4" EXview HAD CCD
- ▶ True Day/Night with Powerful Wide Dynamic Range
- ▶ 36x Motorized Zoom Lens (3.4-122.4mm) / 12x Digital Zoom Ratios
- ▶ 240 Preset Positions (Individual Auto Exposure and Event)
- ▶ Endless Auto-Pan with 13 Speed Steps
- ▶ 8 Tours Consisting of over 300 Functions including Presets, Patterns and Auto-Scans in any Predetermined Sequence
- ▶ While Moving, each Preset Scan can be Watched in Smooth Vector Scan Mode
- ▶ 16 Auto Scans with Normal, Vector (Diagonal), and Random Scanning
- ▶ 8 Patterns (up to 500 Second)
- ▶ 8 Privacy Zone Masking and 16 Area Titles
- ▶ On Board Video Analytics: Various Selectable Detection Methods (Motion Detection, Cross, Enter, Abandon, Removal, Auto Tracking, Cross Tracking)
- ▶ DIS (Digital Image Stabilization) Function
- ▶ 8 Alarm Inputs / 4 Aux Outs (NC & NO)
- ▶ Three Variable Speeds (Slow, Normal, Turbo) from 0.1° per Second to Maximum Speed of 380° per Second
- ▶ Pan / Tilt Speed is Directly Proportional to the Zoom Ratio
- ▶ Auto Calibration from 0.1° to 6° (Tilt Range is 0° to 180°)
- ▶ Programmable User Preferences (Alarm, Preset, Title, etc.)
- ▶ 180° Digital Flip or 90° Auto Flip
- ▶ Up to 999 Selectable Camera Addresses (3999 by Software Setting)
- ▶ Multi-language Menu Display, Password Confirmation
- ▶ Function Run Menu using DVR without Function Key (Pattern, Scan,..)
- ▶ Coaxial Communication with Coaxitron of Pelco & Fastrax
- ▶ Built-in RS-485/422 Receiver Driver



PTZ DOME

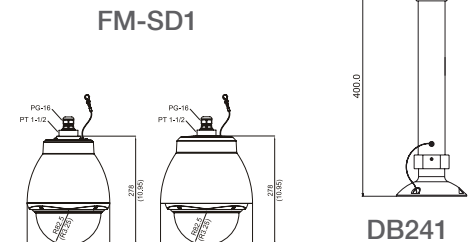
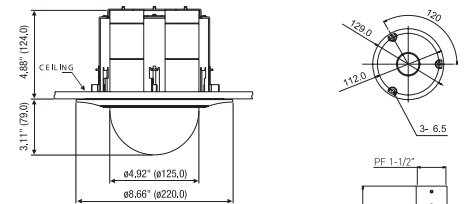
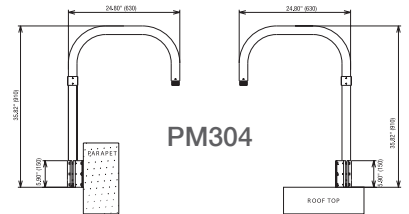
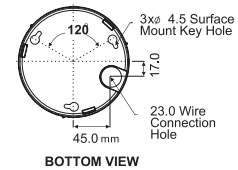
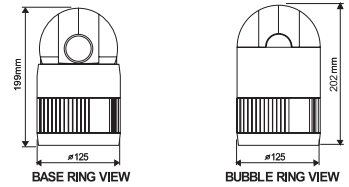
SD536DWA

ULTIMATE SERIES

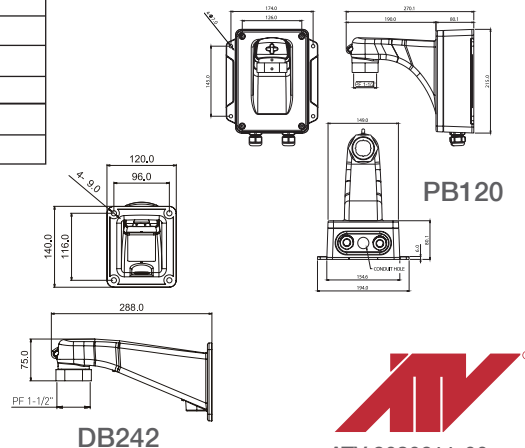
SPECIFICATIONS

MODEL		SD536DWA ~ HIGH SPEED 36x PTZ DOME
M O D U L E	CCD Type	1/4" EXview HAD CCD
	Optical / Digital Zoom	36X / 12X
	Resolution (NTSC/PAL)	540TVL
	Focal length	3.4mm~122.4mm
	Angle of view	3.4mm-57.8°(H) 122.4mm-1.7°(H)
	F-Stop	F1.6-F4.5
I L L U M I N A T I O N	Normal	1.4 Lux
	Slow Shutter	0.1 Lux
	ICR on & Slow Shutter	.01 Lux
	ICR on (Day & Night)	YES
	WDR	YES
D O M E	Tilt angle	-10° ~ 190° (Digital Flip)
	Image Flip	YES
	DIS (Digital Image Stabilization)	YES
	Auto Calibration	0.1° ~ 6°
	Panning angle	360° continuous rotation
	Auto Scan	1 auto pan & 16 auto scan capability
	Presets	240 presets with individual camera AE setup & Event
	Pattern	8 patterns (recording up to 500 sec)
	Tour	8 tours (consist of 42 functions/1 tour)
	Speed	0.1° ~ 380° sec
	Area Title	It can be divided 16 areas with 12 characters of title
	Privacy Zone	8 privacy zone masking (2 methods selectable : Block / video off)
	Video Analytics	Motion Detection, Cross, Enter, Abandon, Removal, Auto Tracking, Cross Tracking
	Menu	GUI (Graphic User Interface)
E L E C T R I C A L	Input Voltage	18 to 30VAC; 24VAC nominal, 24VDC
	Power Requirement	24VAC/24VDC 1A
	Power Consumption	Maximum 20W
	Alarm Output	4 Normal relay 24VDC/1A Max. (selectable NC/NO)
	Alarm Input	8 Normal dry contact (selectable NC/NO)
	Control	RS-485/422 baud rate: 2400~38.4k bps (default: 9600bps) Multi Coaxitron (Pelco, Fastrax)
E N V I R O N M E N T A L	Operating temperature	32°F to 122°F (0°C to 50°C)
	Operating humidity	0 to 90% RH (non-condensing)
	Storage temperature	-4°F to 140°F (-20°C to 60°C)
M E C H A N I C A L	Dimension	See dimensional drawings
	Weight	2.6 lbs (1.2kg)
Certifications	CE, EMC, UL, CSA, FCC, RoHS	

DIMENSIONS



DH304-IC DH304-OC



DB242

ACCESSORIES ~ HOUSINGS AND MOUNTS

- DH304-IC Indoor Speed Dome Housing, IP66, Heater & Blower Clear bubble, No Sun-shield
- DH304-OC Outdoor Speed dome housing, IP66, Heater & Blower Clear Bubble with Sun-shield
- DB241 Ceiling mount bracket for DH304
- DB242 Wall mount bracket for DH304
- PB120 Power box 120VAC input 24VAC output, includes wall mount
- FM-SD1 Flush ceiling mount
- PM304 Parapet and roof top mount

Advanced Technology Video | 850 Freeport Pkwy., Ste.100, Coppell, TX 75019
Toll Free 888.288.7644 | Main 972.459.8645 | Fax 972.459.8661

©2011 ATV All rights reserved. Specifications and Design are subject to change without notice.

