



# 66 Block

## INSTALLATION INSTRUCTIONS

### 66 Block with Preterminated Single/Dual 25pr Telco Connector

ICC's 66 block w/single or dual female 25pr Telco connectors are easy to install and cut installation time in half. 66 blocks can be used in a variety types of applications including residential and commercial applications and work with many different types of voice and data systems.

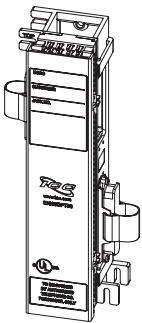
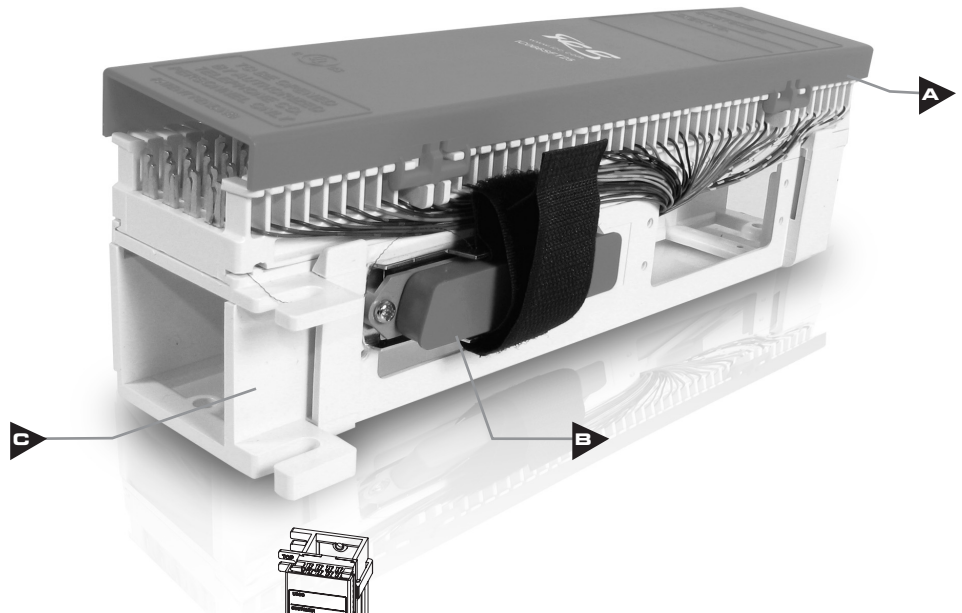
This installation instruction is designed for the following part numbers:

**IC066DFT50**

**IC066SFT25**

#### INCLUDES:

- A** Hinged Cover
- B** Female Amphenol connectors
- C** 89 Bracket

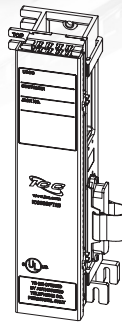


#### IC066DFT50

Prewired 66-Block w/Dual Female Amphenol Connector

IC066DFT50 Content:

- (1) Prewired 66 Block, 50 Pair
- (1) 89D Mounting Bracket
- (2) Female Amphenol Connectors
- (1) Hinged Cover



#### IC066SFT25

Prewired 66-Block w/Single Female Amphenol Connector

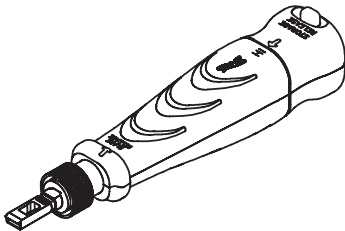
IC066SFT25 Content:

- (1) Prewired 66 Block, 25 Pair
- (1) 89D Mounting Bracket
- (1) Female Amphenol Connector
- (1) Hinged Cover

#### AVAILABLE ACCESSORIES

ICC recommends the following accessories for a fast and easy installation.

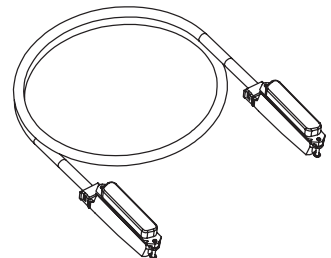
**Single Blade Punch Down Tool**  
ICACSPDT00



**66 Block Bridging Clips (25 Pack)**  
IC066BC025



**25-Pair Telco Cable**  
ICPCSTXXXX



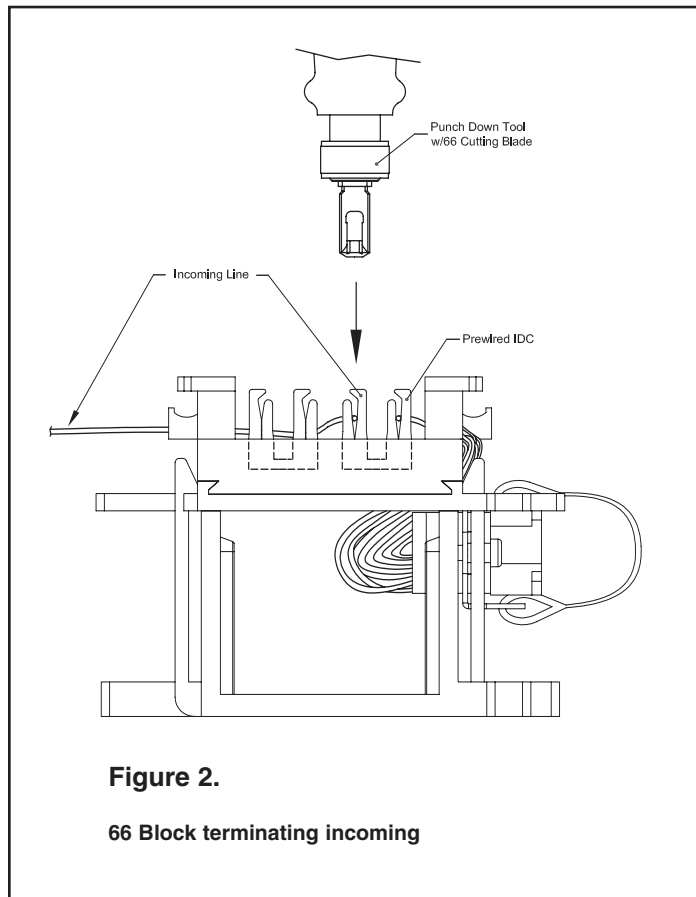
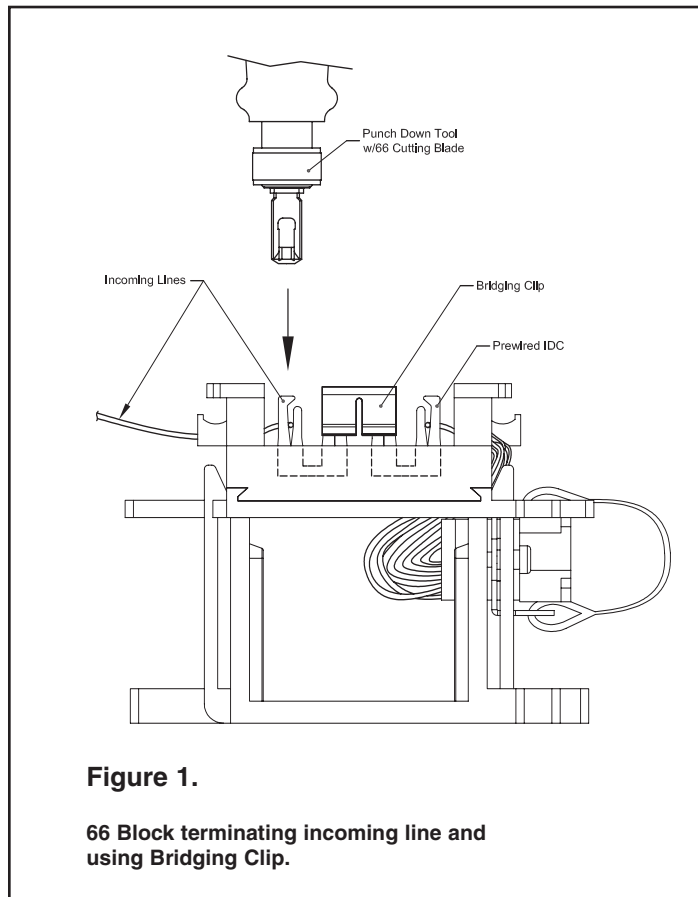
**CUSTOMER CARE / TECHNICAL SUPPORT • CSR@ICC.COM / 888-275-4422 (ASK-4-ICC)**

[www.icc.com](http://www.icc.com)

# ASSEMBLY INSTRUCTIONS

## Terminating Incoming Line

Terminating the incoming line on the 66 Block requires using a punch down tool with a 66 terminating blade. The block can have different configurations depending on the end users preference. See figure 1 and 2



### Wiring Scheme

ICC's 66 blocks are prewired to the chart below.

|          |               |               |  |
|----------|---------------|---------------|--|
| 25       | VIOLET/GRAY   | GRAY/VIOLET   |  |
| 24       | VIOLET/BROWN  | BROWN/VIOLET  |  |
| 23       | VIOLET/GREEN  | GREEN/VIOLET  |  |
| 22       | VIOLET/ORANGE | ORANGE/VIOLET |  |
| 21       | VIOLET/BLUE   | BLUE/VIOLET   |  |
| 20       | YELLOW/GRAY   | GRAY/YELLOW   |  |
| 19       | YELLOW/BROWN  | BROWN/YELLOW  |  |
| 18       | YELLOW/GREEN  | GREEN/YELLOW  |  |
| 17       | YELLOW/ORANGE | ORANGE/YELLOW |  |
| 16       | YELLOW/BLUE   | BLUE/YELLOW   |  |
| 15       | BLACK/GRAY    | GRAY/BLACK    |  |
| 14       | BLACK/BROWN   | BROWN/BLACK   |  |
| 13       | BLACK/GREEN   | GREEN/BLACK   |  |
| 12       | BLACK/ORANGE  | ORANGE/BLACK  |  |
| 11       | BLACK/BLUE    | BLUE/BLACK    |  |
| 10       | RED/GRAY      | GRAY/RED      |  |
| 9        | RED/BROWN     | BROWN/RED     |  |
| 8        | RED/GREEN     | GREEN/RED     |  |
| 7        | RED/ORANGE    | ORANGE/RED    |  |
| 6        | RED/BLUE      | BLUE/RED      |  |
| 5        | WHITE/GRAY    | GRAY/WHITE    |  |
| 4        | WHITE/BROWN   | BROWN/WHITE   |  |
| 3        | WHITE/GREEN   | GREEN/WHITE   |  |
| 2        | WHITE/ORANGE  | ORANGE/WHITE  |  |
| 1        | WHITE/BLUE    | BLUE/WHITE    |  |
| PAIR NO. | TIP           | RING          |  |
|          | WIRE COLOR    |               |  |

