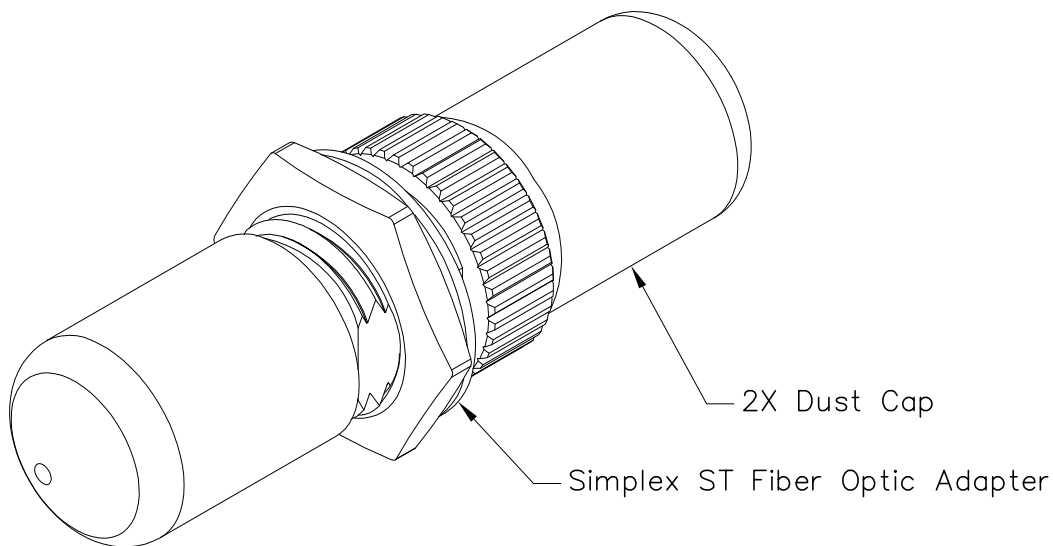


Simplex ST Fiber Optic Adapter (Metal Sleeve)

PRODUCT SPECIFICATION

Package includes:

- A. Simplex ST Fiber Optic Adapter, 1 pc
- B. Dust Cap, 2 pcs



Features and Benefits:

- Viable solution for high speed data transmission and broadband internet
- Used to join simplex singlemode or multimode fiber optic jumpers

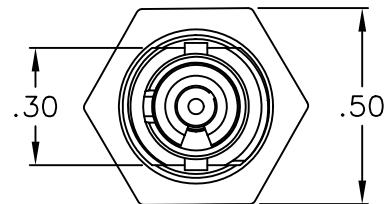
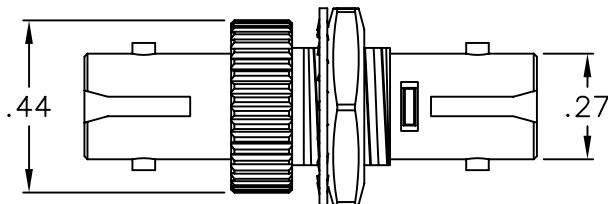
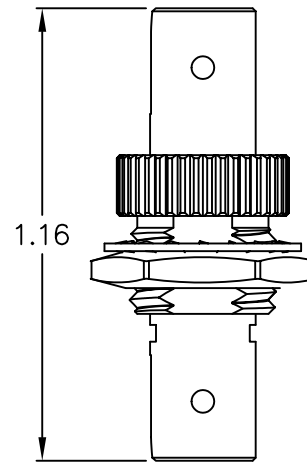
ADAPTER, SIMPLEX ST, METAL

ITEM NO. ICFOA7MM01
DWG NO. PSFOA7MM01

REV. A
PAGE NO. 1



CUSTOMER CARE / TECHNICAL SUPPORT * CSR@ICC.COM / 888-ASK-4-ICC (275-4422) * 14700 Alondra Blvd., La Mirada, CA 90638 * www.icc.com




NOTE: UNLESS OTHERWISE SPECIFIED

1. MATERIAL:

- A. ADAPTER BODY: NICKEL PLATED ZINC ALLOY
- B. SLEEVE: PHOSPHOR BRONZE
- C. NUT & WASHER: NICKEL PLATED STEEL
- D. DUST CAP: RUBBER

2. COLOR:

- A. DUST CAP: RED

ADAPTER, SIMPLEX ST, METAL		 <i>PremiumProducts</i> <i>ProvenPerformance</i> <i>CompetitivePrices</i>	
ITEM NO.	ICFOA7MM01		REV. A
DWG NO.	PSFOA7MM01		PAGE NO. 2

CUSTOMER CARE / TECHNICAL SUPPORT * CSR@ICC.COM / 888-ASK-4-ICC (275-4422) * 14700 Alondra Blvd., La Mirada, CA 90638 * www.icc.com