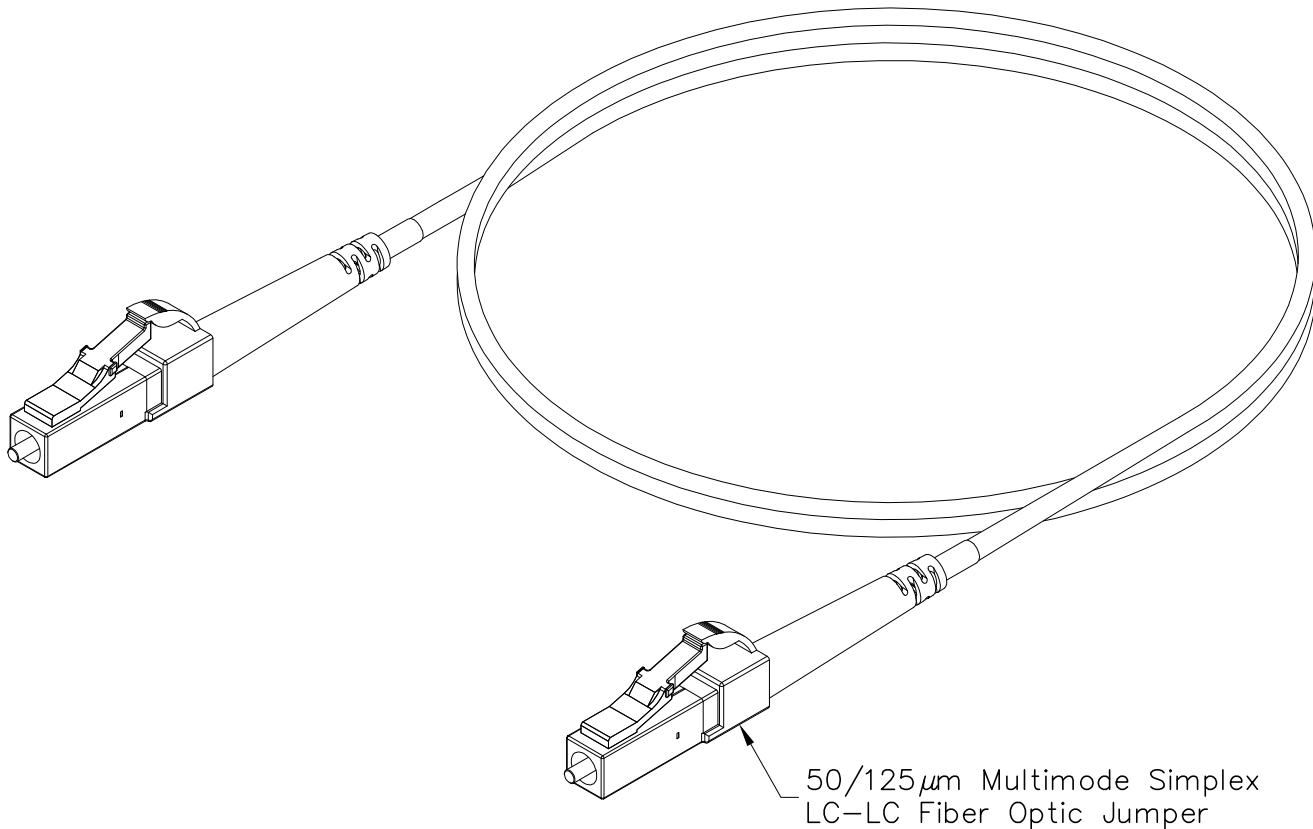


50/125 μ m Multimode Simplex LC-LC Fiber Optic Jumper

PRODUCT SPECIFICATION

Package includes:

- A. 50/125 μ m Multimode Simplex LC-LC
Fiber Optic Jumper, 1 pc
- B. Test Results Label, 1 pc



Features and Benefits:

- Made from OFNR riser rated cables, exceeding all industry requirements
- Used with ICC fiber optic products
- Available in 1, 2, 3, 5, 7 and 10 meters
- Test results included

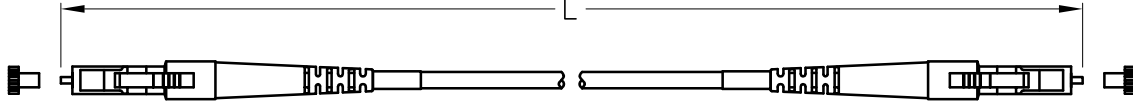
JUMPER, LC-LC, SIMPLEX, MM, 50/125 μ m

ITEM NO.	ICFOJ1M6XX
DWG NO.	PSFOJ1M600

REV.	B
PAGE NO.	1



CUSTOMER CARE / TECHNICAL SUPPORT * CSR@ICC.COM / 888-ASK-4-ICC (275-4422) * 14700 Alondra Blvd., La Mirada, CA 90638 * www.icc.com



NOTE: UNLESS OTHERWISE SPECIFIED

1. CABLE:

- A. COLOR: ORANGE
- B. FIBER COUNTS: 1 FIBER
- C. FIBER TYPE: MULTIMODE 50/125 μ m
- D. ATTENUATION: 3.5/1.0 dB/km @ 850/1300nm
- E. BANDWIDTH: 200/500 @ 850/1300nm
- F. CABLE DATA:

- CABLE DIAMETER: .079 in (2.0 mm)
- WEIGHT: 12 lb/kft
- BEND RADIUS: 1.2 in MIN
- LOADING: 135 lb MAX
- IMPACT CYCLE: 1500

2. LC CONNECTOR:

- A. FERRULE: ZIRCONIA
- B. INSERTION LOSS: .2 dB TYPICAL, .3 dB MAX
- C. REFLECTION: N/A

3. LENGTH: XX=01, 02, 03, 05, 07 & 10

ITEM NUMBER	L
ICFOJ1M601	1 METER \pm 10 CM
ICFOJ1M602	2 METER \pm 10 CM
ICFOJ1M603	3 METER \pm 10 CM
ICFOJ1M605	5 METER \pm 10 CM
ICFOJ1M607	7 METER \pm 10 CM
ICFOJ1M610	10 METER \pm 10 CM

JUMPER, LC-LC, SIMPLEX, MM, 50/125 μ m

ITEM NO. ICFOJ1M6XX
 DWG NO. PSFOJ1M600

REV. B
 PAGE NO. 2



CUSTOMER CARE / TECHNICAL SUPPORT * CSR@ICC.COM / 888-ASK-4-ICC (275-4422) * 14700 Alondra Blvd., La Mirada, CA 90638 * www.icc.com