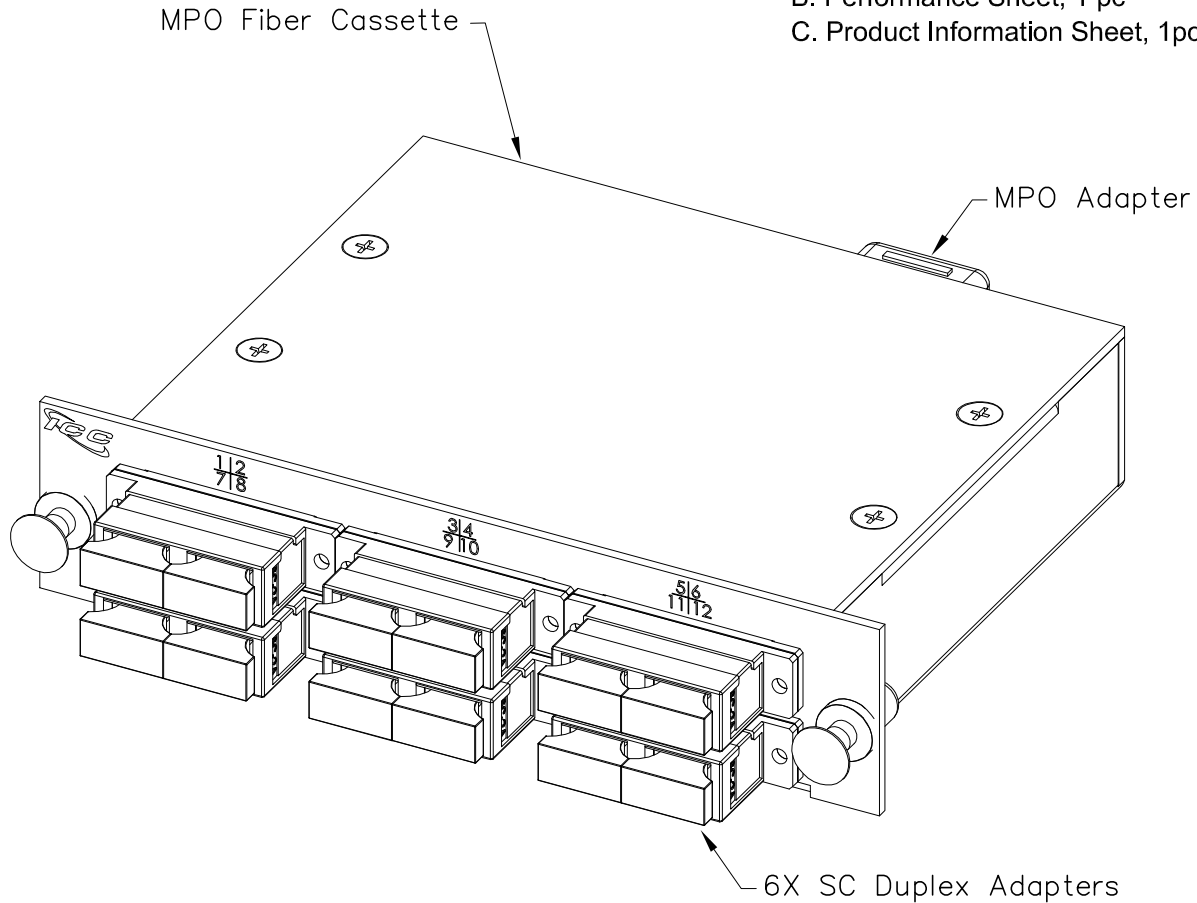


62.5/125 μ m Multimode SC-Duplex MPO Cassette

PRODUCT SPECIFICATION

Package includes:

- A. SC-Duplex MPO Cassette, 1 pc
- B. Performance Sheet, 1 pc
- C. Product Information Sheet, 1pc



Features and Benefits:

- High quality aluminum material allows for compact and durable cassettes.
- Cassette offers a plug and play solution which saves assembly and termination time.
- Designed to fit ICC's wall mount enclosures (ICFOD) and rack mount enclosures (ICFOR).
- MPO connector reduces insertion loss which enhances channel link performance.
- Suitable for any applications with a need for higher bandwidth with longer distances.
- Cassette allows up to 36 fibers within 1 RMS.
- Available in black

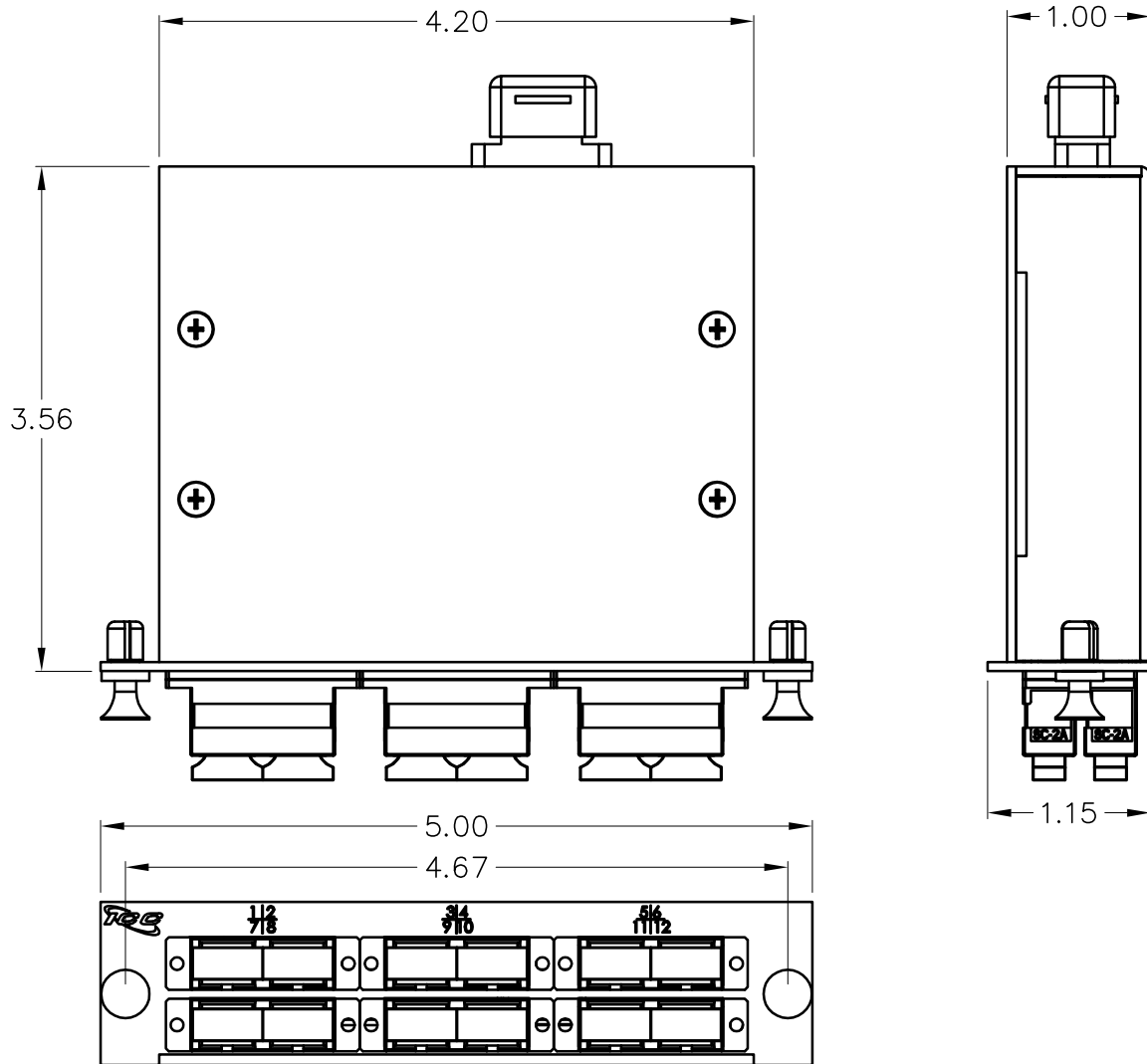
MPO CASSETTE, SC-DUPLEX, MM, 62.5/125 μ m

ITEM NO.	ICFC12MSD6
DWG NO.	PSFC12MSD6

REV.	E
PAGE NO.	1




CUSTOMER CARE / TECHNICAL SUPPORT * CSR@ICC.COM / 888-ASK-4-ICC (275-4422) * 14700 Alondra Blvd., La Mirada, CA 90638 * www.icc.com



NOTE: UNLESS OTHERWISE SPECIFIED

1. CASSETTE HOUSING:
 - A. MATERIAL: ALUMINUM ALLOY
 - B. SURFACE FINISHING: BLACK POWDER COAT
2. SC-DUPLEX CONNECTOR:
 - A. MATERIAL: ABS
 - B. COLOR:
 - HOUSING: BEIGE
 - CAP: BEIGE
 - C. SLEEVE: CERAMIC
 - D. INSERTION LOSS: ≤ 0.3 dB (1300nm)
 - E. OPERATING TEMPERATURE: $-20^{\circ} \sim 70^{\circ}\text{C}$
 - F. STORAGE TEMPERATURE: $-40^{\circ} \sim 80^{\circ}\text{C}$
3. MPO ADAPTER:
 - A. MATERIAL: POLYBUTYLENE TEREPHTHALATE (PBT)
 - B. INSERTION LOSS: < 0.5 dB (1310nm)
 - C. COLOR: BLACK
 - D. MATING CYCLES: 1000 MATING CYCLES
 - E. DUST CAP: TPR
 - COLOR: BLACK

MPO CASSETTE, SC-DUPLEX, MM, 62.5/125μm		 Premium Products Proven Performance Competitive Prices	
ITEM NO.	ICFC12MSD6		REV. E
DWG NO.	PSFC12MSD6	PAGE NO.	2

CUSTOMER CARE / TECHNICAL SUPPORT * CSR@ICC.COM / 888-ASK-4-ICC (275-4422) * 14700 Alondra Blvd., La Mirada, CA 90638 * www.icc.com