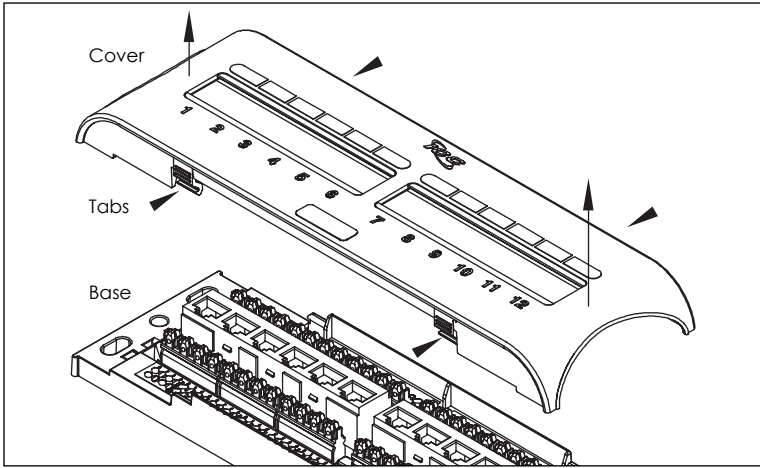


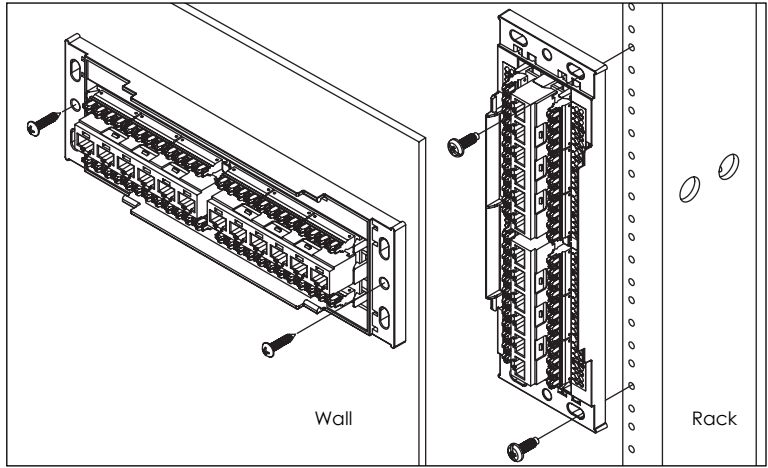


# Front Access Zero U Patch Panels

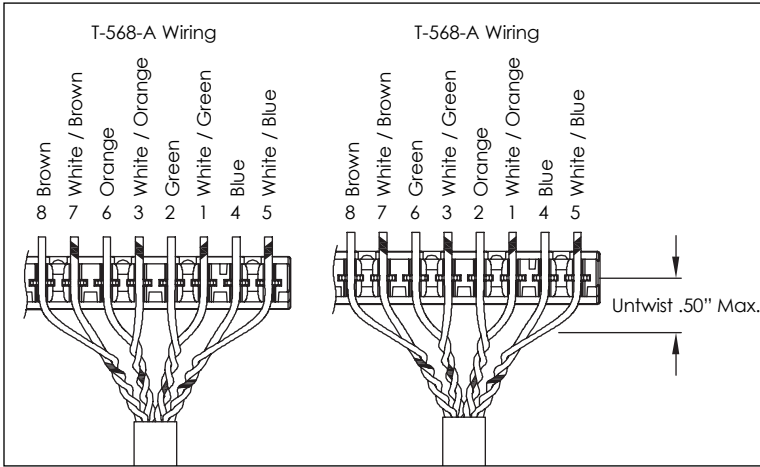
## I N S T A L L A T I O N   I N S T R U C T I O N S



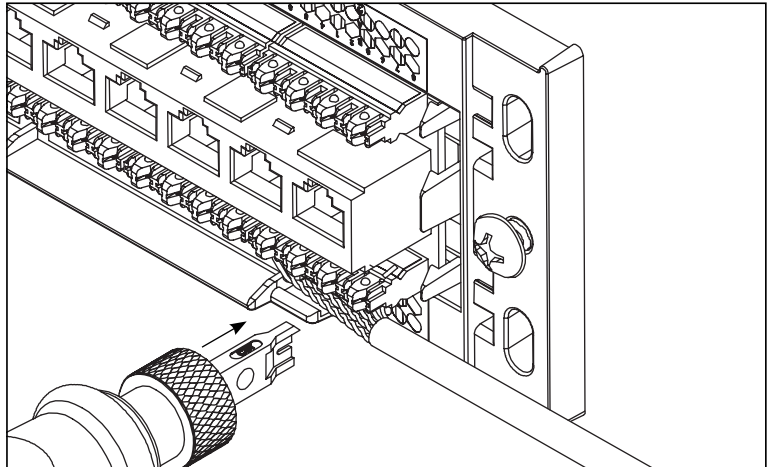
Step 1. Remove the cover by pressing tabs inward and lifting up.



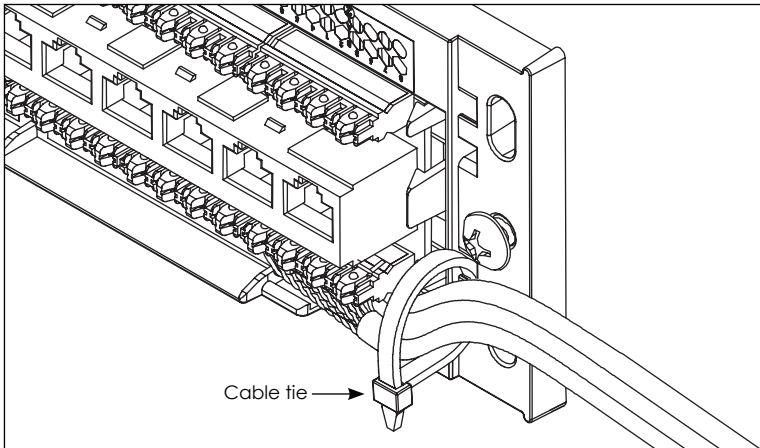
Step 2. Mount the base to a wall or rack and secure with screws. Note: Mounting to a rack will overlap 6 rack mount spaces.



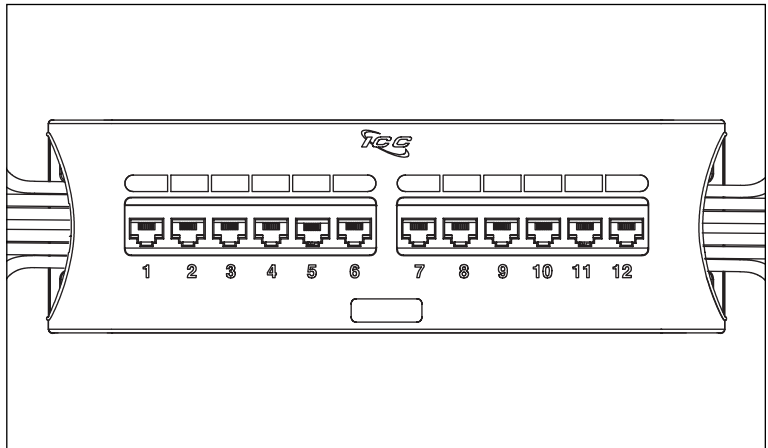
Step 3. Choose between TIA-568-A or TIA-568-B wiring configuration.



Step 4. Terminate conductors using a single blade punch down tool.



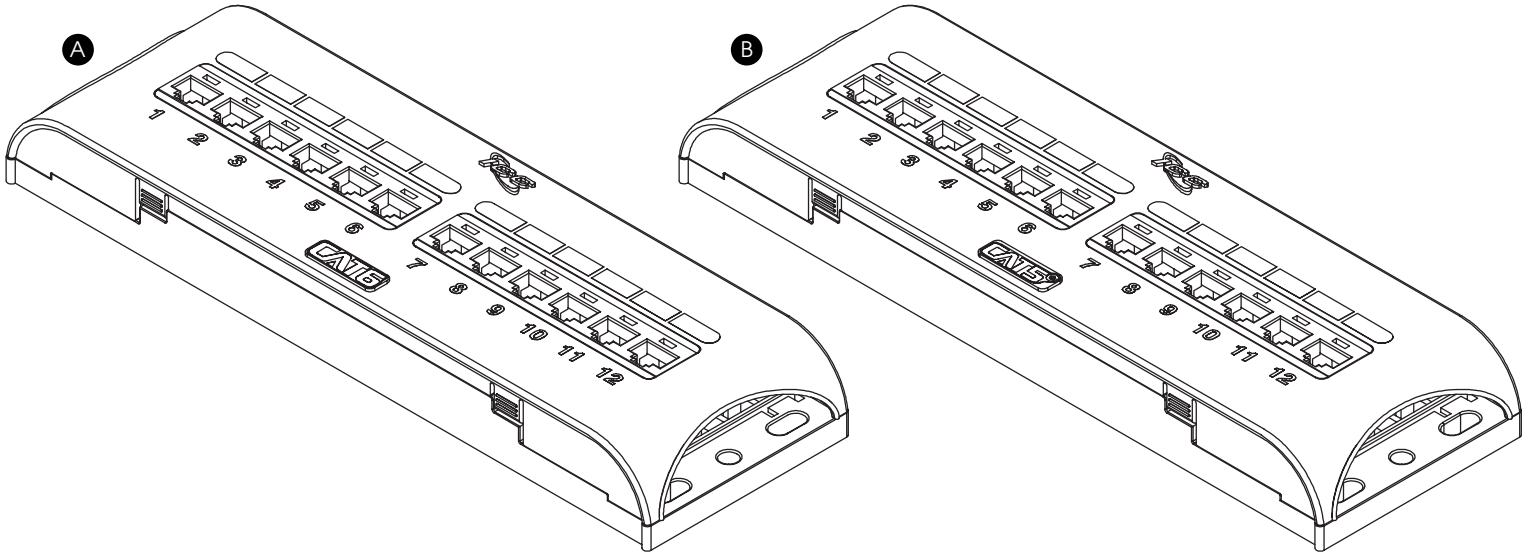
Step 5. Route cables to the side and secure them with cable ties (included).



Step 6. Place the cover back onto the base.

# Front Access Zero U Patch Panels

## INSTALLATION INSTRUCTIONS

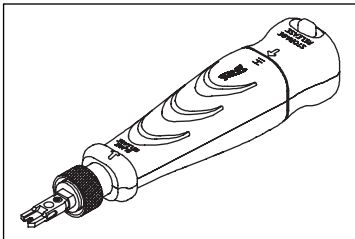


Item No.	Description	#12-24 x 3/4 Rack Screws	Cable Ties
A ICMP12F6E	CAT 6, 12-Ports, 8P8C, front access	2	4
B ICMP12F5E	CAT 5e, 12-Ports, 8P8C, front access	2	4

## FEATURES AND BENEFITS

- Two-piece design; patch panel with removable cover
- Front access 110-Type IDC terminations
- Designed to mount on walls and distribution racks
- Tested to exceed TIA-568 performance standards
- Jacks have 50 micro-inch gold plated contacts

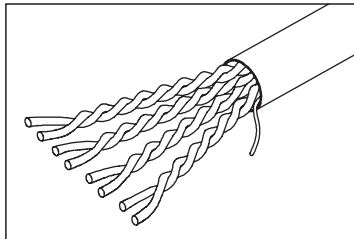
## OPTIONAL ACCESSORIES



**Single Blade Punch-Down Tool**

**ICACSPDT00**

- For 110-Type IDC and 66 single-wire termination
- Both blades included
- Adjustable impact settings
- Comfortable grip



**Premise Cables**

**CAT 6**

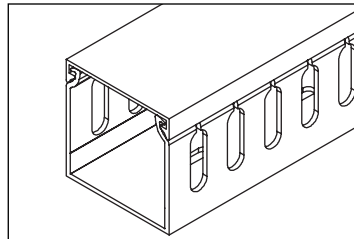
- **ICCABP6Vxx<sup>1</sup>** CMP, 23 AWG
- **ICCABR6Vxx<sup>1</sup>** CMR, 23 AWG

**CAT 5e**

- **ICCABP5Exx<sup>1</sup>** CMP, 24 AWG
- **ICCABR5Exx<sup>1</sup>** CMR, 24 AWG

- 4-Pair, UTP, solid copper cable
- 1000 feet per box

Color (xx<sup>1</sup>)= BL, WH, GY, YL, GN

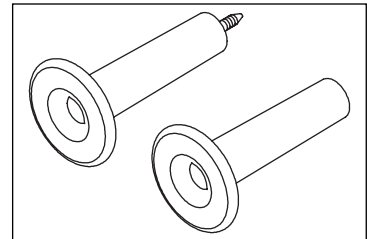


**Wiring Ducts, 6' Sections**

- **ICRWL226xx<sup>1</sup>** 2" x 2" slotted
- **ICRWS226xx<sup>1</sup>** 2" x 2" solid
- **ICRWL246xx<sup>1</sup>** 2" x 4" slotted
- **ICRWS246xx<sup>1</sup>** 2" x 4" solid

- Wall mountable
- Helps route cable
- Order by 6' increments
- 120' per carton

Color (xx<sup>1</sup>)= WH, GY, BK



**Cable Management Spools**

- **ICACSWDS20** With screw
- **ICACSWDS10** Without screw

- Wall mountable
- Helps retain and guide cable
- 10 pieces per bag