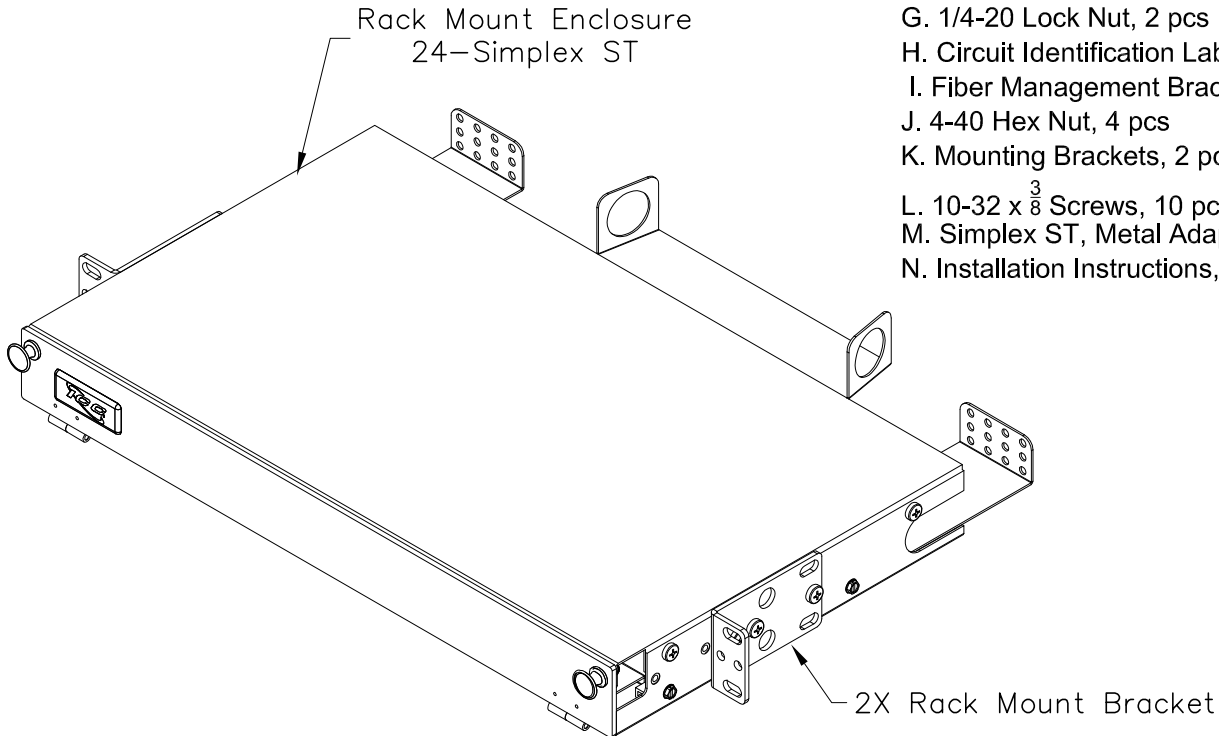


Fiber Optic Rack Mount Enclosure 24-Simplex ST, Metal

PRODUCT SPECIFICATION

Package includes:

- A. Rack Mount Enclosure, 1 pc
- B. Danger Label, 1 pc
- C. Fastening Tie Loops, 4 pcs
- D. Tie Wraps, 2 pcs
- E. Plastic Fiber Saddles, 7 pcs
- F. Pem Stud, 1 pc
- G. 1/4-20 Lock Nut, 2 pcs
- H. Circuit Identification Label, 1 pc
- I. Fiber Management Brackets, 8 pcs
- J. 4-40 Hex Nut, 4 pcs
- K. Mounting Brackets, 2 pcs
- L. 10-32 x $\frac{3}{8}$ Screws, 10 pcs
- M. Simplex ST, Metal Adapters, 24 pcs
- N. Installation Instructions, 1 Sheet



Features and Benefits:

- High quality material and folded edge design allow for strength and durability.
- Provides easy access for splicing and maintaining cable organization.
- Designed to fit all standard 19" racks and cabinets.
- Fully loaded with 24-Simplex ST fiber optic adapters.
- 1 rack mount space.
- Available in black.
- Installation instructions.

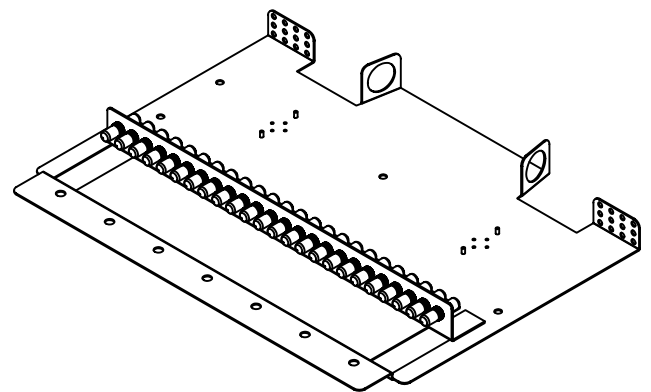
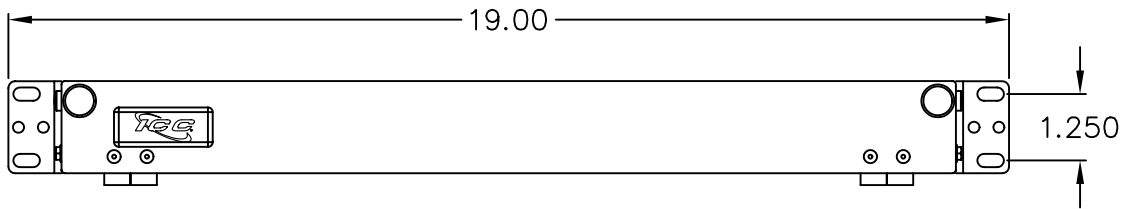
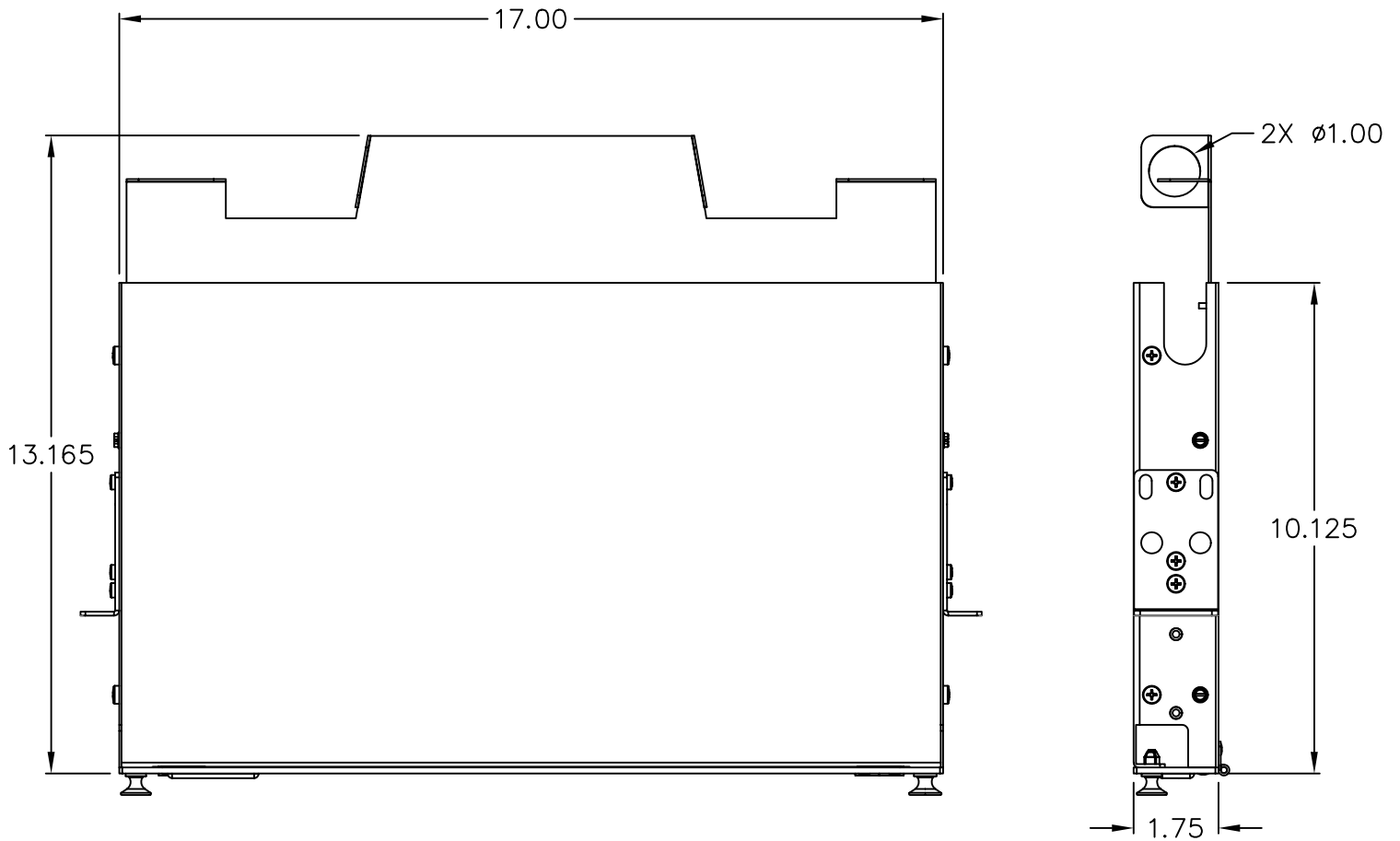
RACK ENCL, 24-SIMPLEX ST, METAL 1 RMS

ITEM NO. ICFORST024
DWG NO. PSFORST024

REV. B
PAGE NO. 1




CUSTOMER CARE / TECHNICAL SUPPORT * CSR@ICC.COM / 888-ASK-4-ICC (275-4422) * 14700 Alondra Blvd., La Mirada, CA 90638 * www.icc.com



TRAY

NOTE: UNLESS OTHERWISE SPECIFIED

1. MATERIAL: 18 GA C.R.S.
2. SURFACE FINISHING: BLACK POWDER COAT
3. COLOR: BK: BLACK

RACK ENCL, 24-SIMPLEX ST, METAL 1 RMS		 PremiumProducts ProvenPerformance CompetitivePrices
ITEM NO.	ICFORST024	
DWG NO.	PSFORST024	PAGE NO. 2

CUSTOMER CARE / TECHNICAL SUPPORT * CSR@ICC.COM / 888-ASK-4-ICC (275-4422) * 14700 Alondra Blvd., La Mirada, CA 90638 * www.icc.com