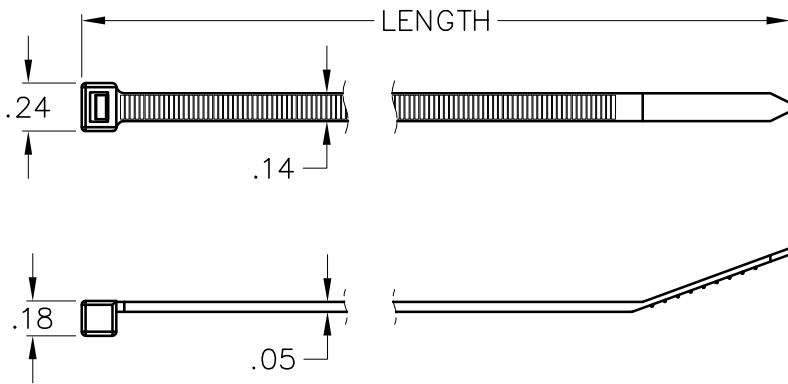
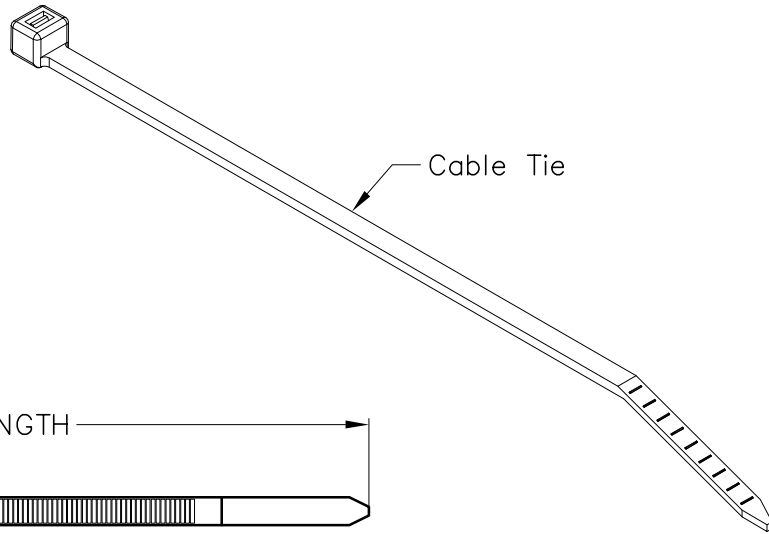


40 lbs Cable Tie

PRODUCT SPECIFICATION

Package includes:

A. 40 lbs Cable Tie, 1000 pcs



NOTE: UNLESS OTHERWISE SPECIFIED

1. MATERIAL: NYLON 66
2. COLOR: NL-NATURAL, BK-BLACK

ITEM NUMBER	LENGTH (IN)	MAXIMUM BUNDLE DIAMETER (IN)
ICACSM8KBK	8.46	2.20
ICACSM8KNL	8.46	2.20

Features and Benefits:

- All nylon, one-piece construction up to 40 lbs minimum loop tensile strength.
- Easy and fast installation.
- Durable and strong.
- Operating temperature from 14°F to 185°F (-10°C to 85°C).
- Flammability rating UL 94V-2.
- UL Listed.
- MIL SPEC approved where applicable.

CABLE TIE, 40 LBS, 1000 PK

ITEM NO. SEE TABLE 1
 DWG NO. PSACSMOK00

REV. A
 PAGE NO. 1



CUSTOMER CARE / TECHNICAL SUPPORT * CSR@ICC.COM / 888-ASK-4-ICC (275-4422) * 14700 Alondra Blvd., La Mirada, CA 90638 * www.icc.com