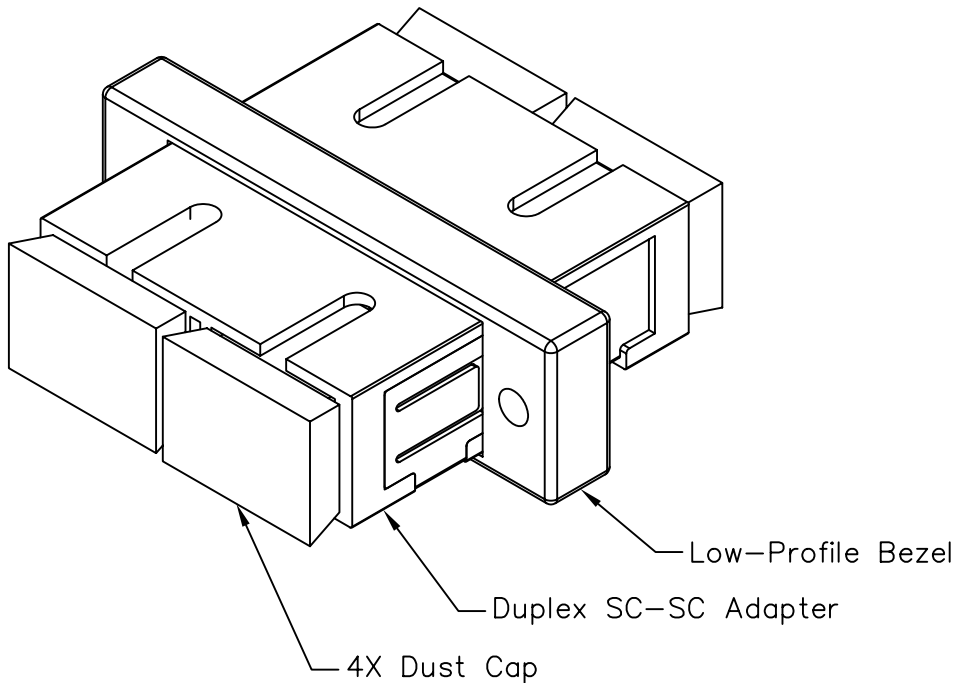


Duplex SC-SC Adapter Bezel

PRODUCT SPECIFICATION


Package includes:

- A. Duplex SC-SC Adapter, 1 pc
- B. Dust Cap, 4 pcs
- C. Low-Profile Bezel, 1 pc

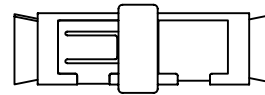
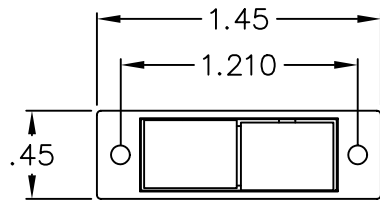
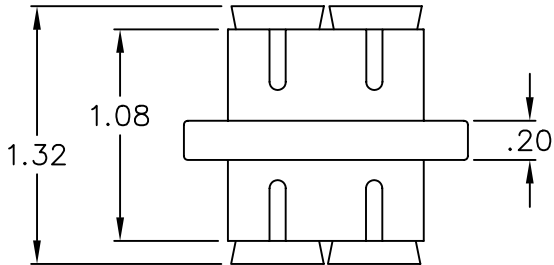


Features and Benefits:

- Provides a flexible solution for fiber work area connectivity
- Provides two SC fiber connections per adapter
- Compatible with IC108WB multi-media outlets
- Available in gray, ivory, and white
- UL listed

ADAPTER BEZEL, DUPLEX SC-SC		 <i>PremiumProducts</i> <i>ProvenPerformance</i> <i>CompetitivePrices</i>	
ITEM NO.	ICFOBWCBXX	REV.	A
DWG NO.	PSFOBWCB00	PAGE NO.	1

CUSTOMER CARE / TECHNICAL SUPPORT * CSR@ICC.COM / 888-ASK-4-ICC (275-4422) * 14700 Alondra Blvd., La Mirada, CA 90638 * www.icc.com



NOTE: UNLESS OTHERWISE SPECIFIED


1. HOUSING:

- A. MATERIAL: ABS, UL 94V-0
- B. COLOR: XX: GY-GRAY, IV-IVORY, & WH-WHITE

2. DUPLEX SC-SC ADAPTER:

- A. MATERIAL:
 - ADAPTER BODY: PLASTIC
 - SLEEVE: PHOSPHOR BRONZE
 - HOLDER: STAINLESS STEEL
 - DUST CAP: PLASTIC

UL US FILE NO. 125268

ADAPTER BEZEL, DUPLEX SC-SC		 <i>PremiumProducts</i> <i>ProvenPerformance</i> <i>CompetitivePrices</i>	
ITEM NO.	ICFOBWCBXX		REV. A
DWG NO.	PSFOBWCB00		PAGE NO. 2

CUSTOMER CARE / TECHNICAL SUPPORT * CSR@ICC.COM / 888-ASK-4-ICC (275-4422) * 14700 Alondra Blvd., La Mirada, CA 90638 * www.icc.com