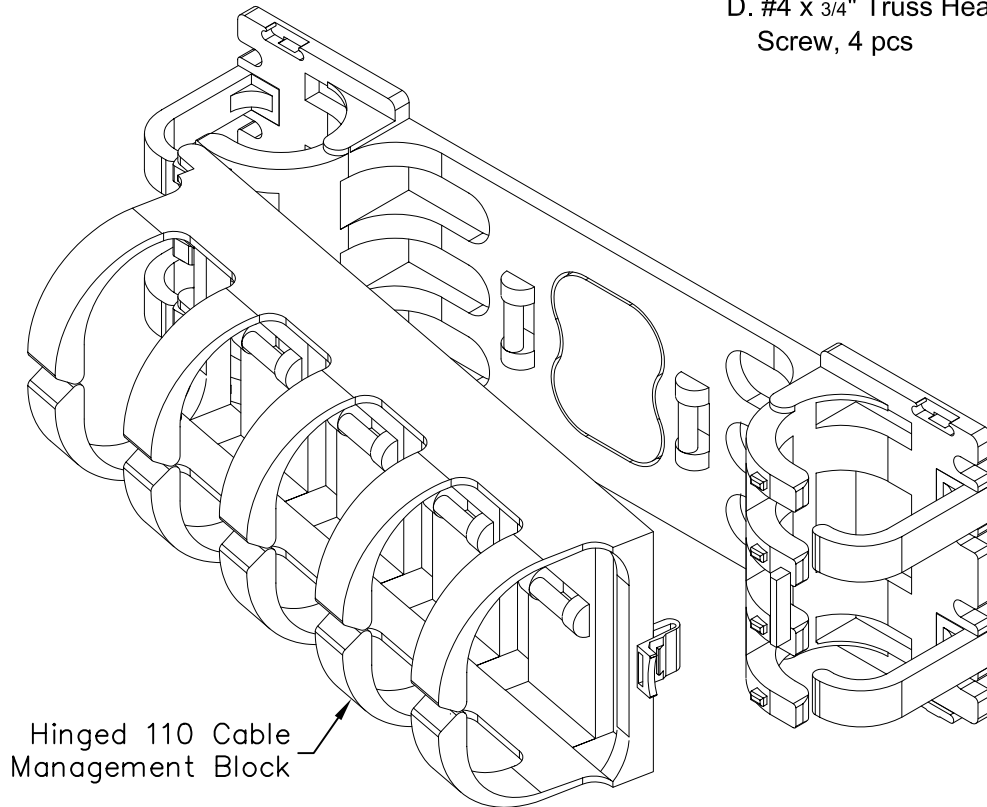


Hinged 110 Cable Management Block

PRODUCT SPECIFICATION

Package includes:

- A. Hinged 110 Cable Management Block, 1 pc
- B. Cable Organizer, 4 pcs
- C. 6" Cable Tie, 4 pcs
- D. #4 x 3/4" Truss Head Tapping Screw, 4 pcs



Features and Benefits:

- Designed for use with 110 systems to enhance patch cord organization with a hinged design for easy rear cable access while maintaining bend radius
- Used with IC110 wiring blocks
- UL Listed

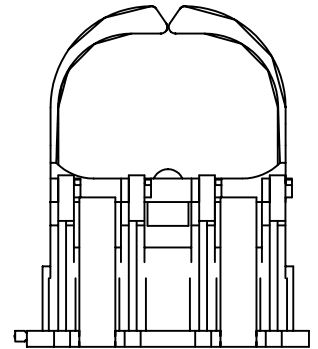
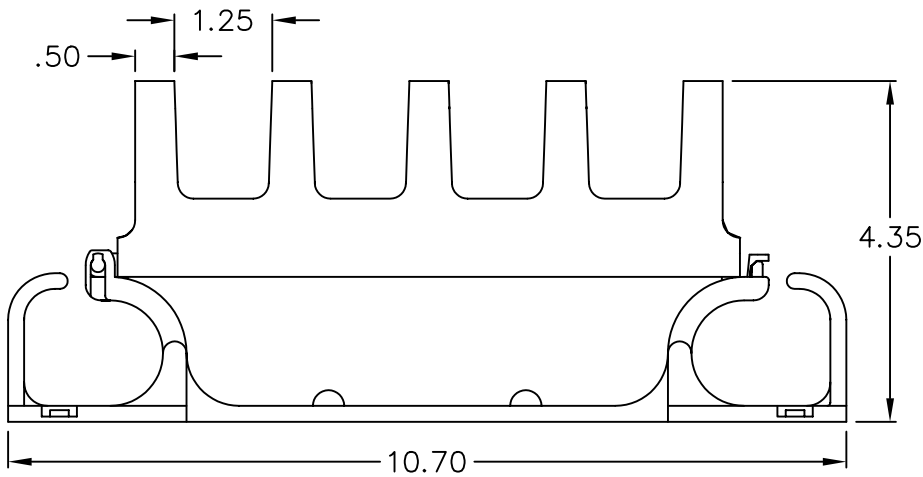
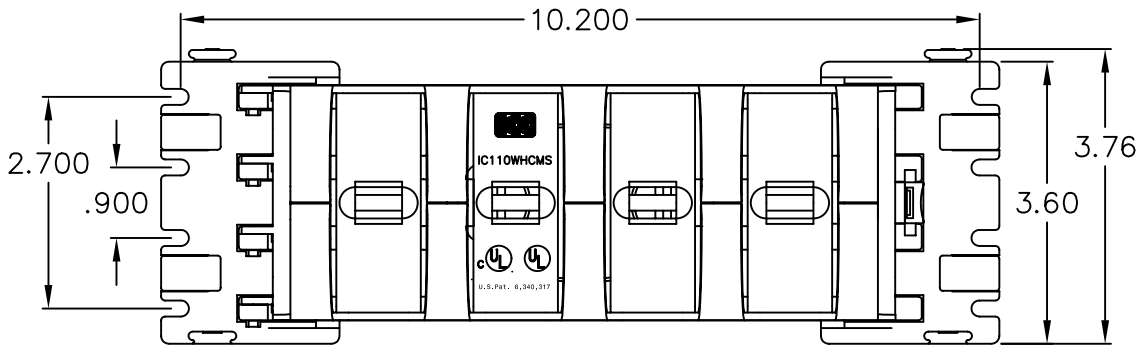
110 CABLE MANAGEMENT BLOCK, HINGED

ITEM NO.	IC110WHCMS
DWG NO.	PS110WHCMS

REV.	B
PAGE NO.	1



CUSTOMER CARE / TECHNICAL SUPPORT * CSR@ICC.COM / 888-ASK-4-ICC (275-4422) * 14700 Alondra Blvd., La Mirada, CA 90638 * www.icc.com




NOTE: UNLESS OTHERWISE SPECIFIED

1. MATERIAL: ABS, UL 94V-0
2. COLOR: IVORY

UL US FILE NO. 125268

1 10 CABLE MANAGEMENT BLOCK, HINGED

ITEM NO.	IC110WHCMS	REV.	B	
DWG NO.	PS110WHCMS	PAGE NO.	2	

CUSTOMER CARE / TECHNICAL SUPPORT * CSR@ICC.COM / 888-ASK-4-ICC (275-4422) * 14700 Alondra Blvd., La Mirada, CA 90638 * www.icc.com