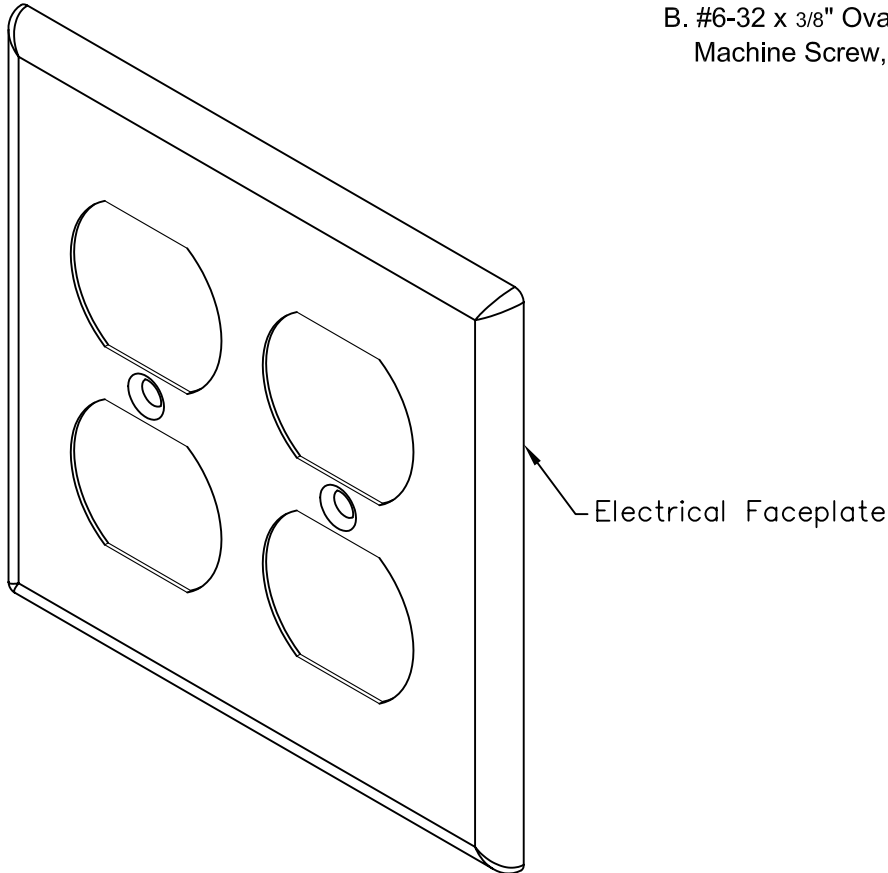


# Double Gang Electrical Faceplate

## PRODUCT SPECIFICATION

### Package includes:

- A. Double Gang Electrical Faceplate, 1 pc
- B. #6-32 x 3/8" Oval Head, Countersink Machine Screw, 2 pcs



### Features and Benefits:

- Configured to fit standard double gang electrical outlet
- Designed for commercial or residential applications
- Rugged and durable construction
- Accepts IC107 electrical inserts
- Available in ivory and white
- UL listed

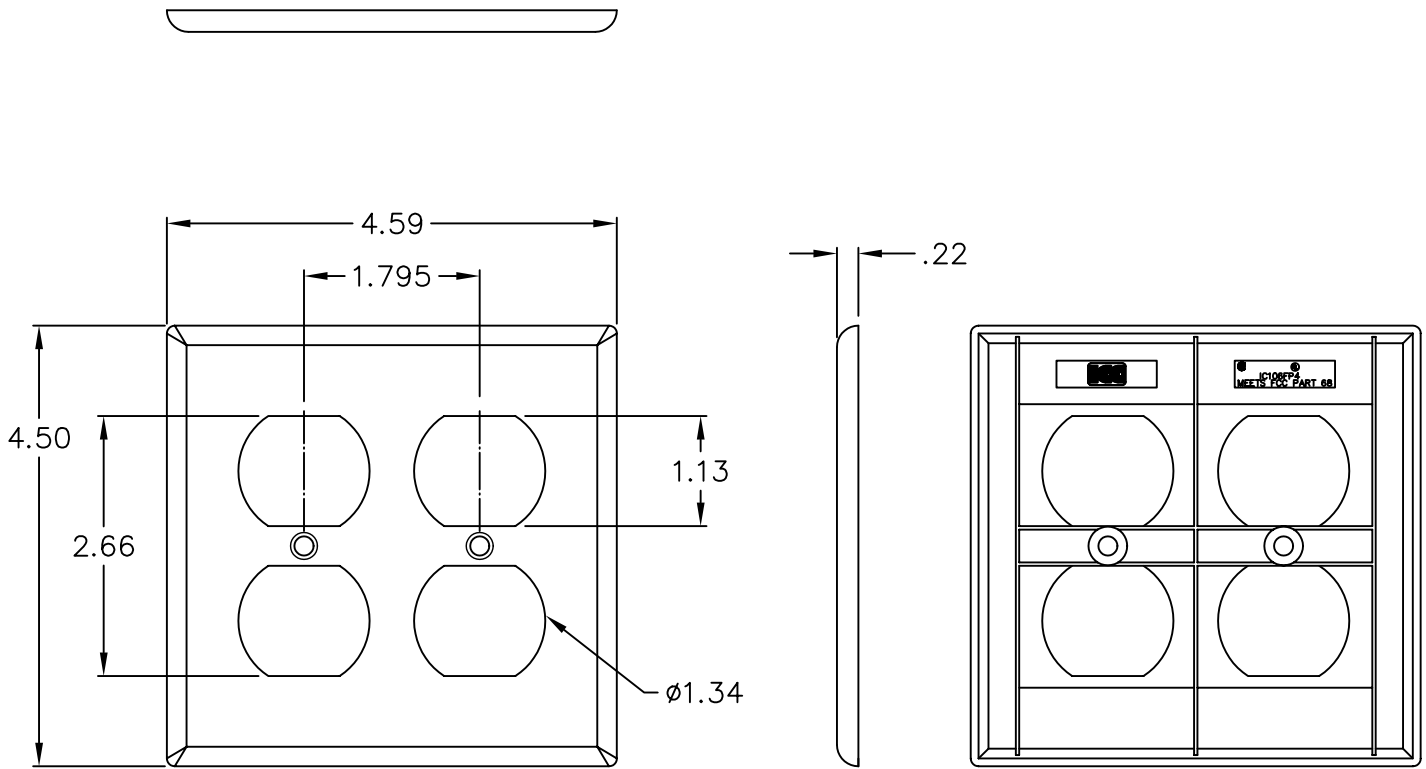
### FACEPLATE, ELECTRICAL, 2-GANG

ITEM NO.	IC106FP4XX
DWG NO.	PS106FP400

REV.	A
PAGE NO.	1




CUSTOMER CARE / TECHNICAL SUPPORT \* CSR@ICC.COM / 888-ASK-4-ICC (275-4422) \* 14700 Alondra Blvd., La Mirada, CA 90638 \* www.icc.com



**NOTE: UNLESS OTHERWISE SPECIFIED**

1. MATERIAL: ABS, UL 94V-0
2. FINISH: TEXTURE
3. COLOR: XX: IV-IVORY & WH-WHITE

UL US FILE NO. 125268

<b>FACEPLATE, ELECTRICAL, 2-GANG</b>		 <b>Premium Products</b> <b>Proven Performance</b> <b>Competitive Prices</b>	
ITEM NO.	IC106FP4XX		REV. A
DWG NO.	PS106FP400		PAGE NO. 2

CUSTOMER CARE / TECHNICAL SUPPORT \* CSR@ICC.COM / 888-ASK-4-ICC (275-4422) \* 14700 Alondra Blvd., La Mirada, CA 90638 \* www.icc.com