



ADVANCED
TECHNOLOGY
VIDEO

IP PRODUCT SERIES

>>>VGA RESOLUTION, DUAL STREAM,
ON-BOARD STORAGE, INTERIOR IP DOME

INTERIOR IP DOME
IPFD600

- > Super Video Quality with VGA (640 x 480) Resolution
- > Highly Efficient H.264 Video Compression which Drastically Reduces Bandwidth and Storage Requirements
- > Progressive Scanning for Sharper Video Motion Images
- > 2.8-12mm Vari-focal Auto-Iris Lens
- > Dual Video Streams Simultaneously at the Full Frame Rate in all Resolutions up to VGA (640 x 480) using Motion JPEG and H.264
- > Supports a Micro-SD Memory Card Slot for Local, Event Detection Recording
- > Minimum Scene Illumination 0.5Lux at F1.0, 50IRE
- > Backlight Compensation, 2D-DNR (Digital Noise Reduction) and Auto White Balance
- > Motion Detection (8 Windows), Privacy Masking (8 Windows) and FTP Image Upload
- > View and Record up to 64 Cameras Simultaneously with included ATVision IP Remote Management Software
- > Up to 10 Simultaneous Connections through Remote Monitoring
- > ONVIF Compliant for Network Video Interoperability
- > Optional Wall and Pendant Mount Available
- > PoE & 12VDC Power Option Capability



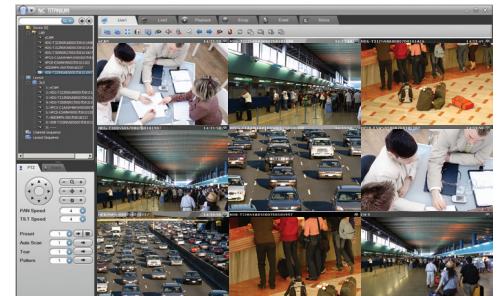
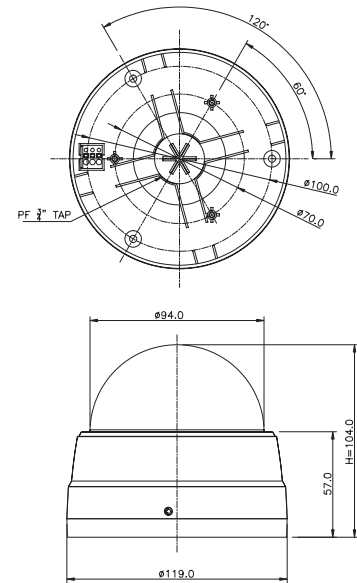
INTERIOR IP DOME IPFD600

IP PRODUCT SERIES

SPECIFICATIONS

| MODEL | IPFD600 | |
|---------------------------------|--|--|
| C A M E R A | Image sensor | 1/4" Progressive scan RGB VGA CMOS |
| | Active Array | 640(H) x 480(V) |
| | Lens | Varifocal 2.8mm ~ 12mm, F1.4, DC IRIS |
| | Angle of View | 2.8mm – 73.6°(H) / 12mm – 17.8°(H) |
| R A | Camera Angle Adjustment | Pan: 360°, Tilt: 180°, Rotation: 360° |
| | Min. illumination | 0.5Lux @ F1.0 |
| N E T W O R K | Shutter Speed | 1/20,000 ~ 1/30 |
| | Video Compression | Motion JPEG, MPEG-4 Part2, H.264 (MPEG-4 Part 10) Profiles: H.264 MP and BP, MPEG-4 ASP and SP |
| | Video Resolutions | 160x120 ~ 640x480 |
| | Frame Rate | 30fps @ all resolutions |
| | Video Streaming | Simultaneously H.264(or MPEG-4) and MJPEG, Controllable Frame Rate and Bandwidth VBR/CBR H.264 and MPEG-4 |
| | Protocol | TCP/IP, UDP, IPv4/v6, HTTP, HTTPS, QoS, FTP, SNMP, uPnP, RTP, RTSP, RTCP, DHCP, ARP |
| | Security | Multi-user authority, HTTPS, IP Filtering, Privacy Zone |
| | Remote Access | ATVision IP Remote Management Software, Web Browser |
| | Max. Connection | 10 |
| | Compatible 3rd Party VMS | See link on www.atvideo.com |
| | Alarm Triggers | Motion Detection, External Input, Manual Trigger |
| | Alarm Events | File upload via FTP and HTTP, Notification via E-mail, HTTP and TCP, External Output activation, Audio alert activation |
| | Video Buffering | Pre and Post Alarm |
| | Motion Detection | Yes, max. 8 programmable windows |
| | Network Time Synchronization | Yes |
| Micro-SD Card Recording | Yes, Event | |
| Software Reset | Yes | |
| Factory Reset | Yes, Button/Web browser | |
| Auto Recovery | Yes | |
| Installation Tool | Yes, SmartManager (included utility software) | |
| Upgrade | Yes, Web browser/SmartManager (included utility software) | |
| G E N E R A L | Alarm Input | Terminal, 1 TTL input |
| | Alarm Output | Terminal, 1 open collector |
| | Micro-SD Card | Micro-SDHC class 6 or above recommended |
| | Ethernet | RJ-45 10BASE-T/100BASE-TX |
| Operating Temperature | 32° - 122°F (0° - 50°C) | |
| Operation Humidity | 0~90% (non-condensing) | |
| Power Consumption | DC12V 200mA, Power over Ethernet IEEE 802.3af Class2/3, 50mA | |
| External Dimension | (Dia x H) 4.6 x 4.1in (119 x 104mm) | |
| Unit Weight | 0.67lbs (.305kg) | |
| Conformity Certifications | FCC, CE, UL | |

DIMENSIONS



ATVision IP Remote Management Software

System Requirements for ATVision IP Remote Management Software:

Operating System: Microsoft® Windows® XP Professional, Windows Vista™ Enterprise/Ultimate, Windows 7 Professional/Enterprise/Ultimate (Windows 7 recommended)

CPU: Intel® Core™2 Quad processors or higher (Core™ i7 processor recommended)

RAM: Minimum 1 GB (4 GB or more recommended)

ACCESSORIES

A-CD4-M2W Wall Mount

A-CD4-P2W Pendant Mount



A-CD4-M2W



A-CD4-P2W

Advanced Technology Video | 850 Freepoint Pkwy., Ste.100, Coppell, TX 75019

Toll Free 888.288.7644 | Main 972.459.8645 | Fax 972.459.8661

©2012 ATV All rights reserved. Specifications and Design are subject to change without notice.

ATV7151011-01

