



## JackEasy™ Termination Tool

I N S T A L L A T I O N I N S T R U C T I O N S

Terminating ICC easy (EZ) jack



### ICC JackEasy Termination Tool

The JackEasy is an 'all-in-one' purpose tool, compatible with ICC's voice and data jacks. The tool terminates all 4-pairs with an even balanced blade that seats, terminates and simultaneously cuts off excess wires in one squeeze.

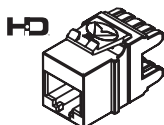
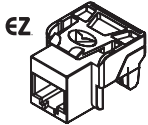
ICC's JackEasy is manufactured with a 16 Gauge steel framework making it the strongest in the industry and built to last. The handle is ergonomically designed with polypropylene for a comfortable grip and allows installers to terminate repeatedly and effortlessly. The JackEasy includes two blades to terminate both easy (EZ) and slim body (HD) style jacks. The tool is also designed with a surface base allowing the tool to rest on a table or floor for support during termination.

### Part No: ICACSPDTEH

Package Includes:

- JackEasy Tool, 1 piece
- EZ Termination Blade Head, 1 piece
- HD Termination Blade Head, 1 piece

For EZ and HD Modules



With This Logo:



Terminating ICC slim body (HD) jack

### Purchase accessories for great value!

ICC recommends the following accessories for a complete installation.



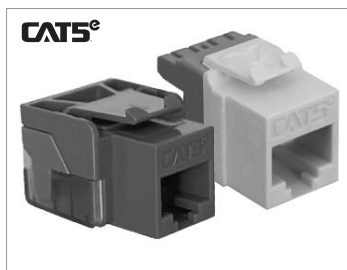
**CAT6<sup>A</sup>**  
CAT 6A UTP Modular Connectors  
IC1078GAxx\* RJ-45, 8P8C (HD)

\*xx denotes color = BL-Blue, WH-White



**CAT6**  
CAT 6 Modular Connectors  
IC1078L6xx\* RJ-45, 8P8C (EZ)  
IC1078F6xx\* RJ-45, 8P8C (HD)

\*xx denotes color = AL-Almond, BK-Black, BL-Blue, GN-Green, GY-Gray, IV-Ivory, OR-Orange, PR-Purple, RD-Red, WH-White, YL-Yellow



**CAT5<sup>e</sup>**  
CAT 5e Modular Connectors  
IC1078E5xx\* RJ-45, 8P8C (EZ)  
IC1078F5xx\* RJ-45, 8P8C (HD)

\*xx denotes color = AL-Almond, BK-Black, BL-Blue, GN-Green, GY-Gray, IV-Ivory, OR-Orange, PR-Purple, RD-Red, WH-White, YL-Yellow



**Voice Modular Connectors**  
IC1076V0xx\* RJ-11, 6P6C (EZ)  
IC1076F0xx\* RJ-11, 6P6C (HD)

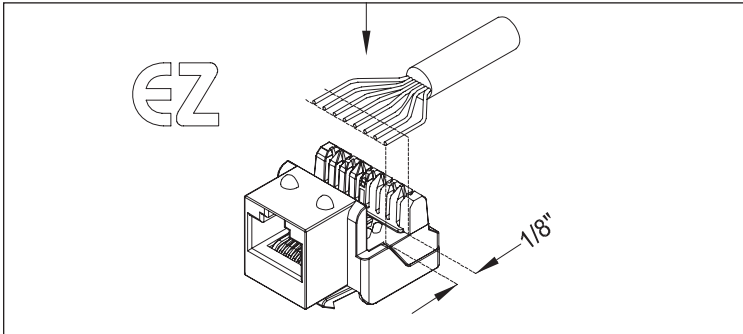
\*xx denotes color = AL-Almond, BK-Black, BL-Blue, GN-Green, GY-Gray, IV-Ivory, OR-Orange, PR-Purple, RD-Red, WH-White, YL-Yellow

Premium**Products** • Proven**Performance** • Competitive**Prices...ICC**

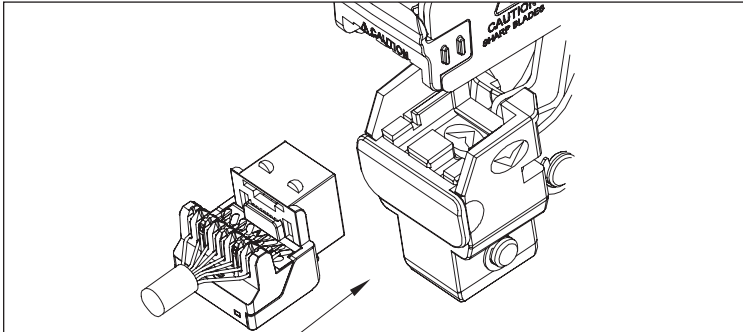
Technical Support: **888-ASK-4ICC (275-4422)** • E-mail: **csr@icc.com** • Go on-line: **icc.com**

# Installation Instructions

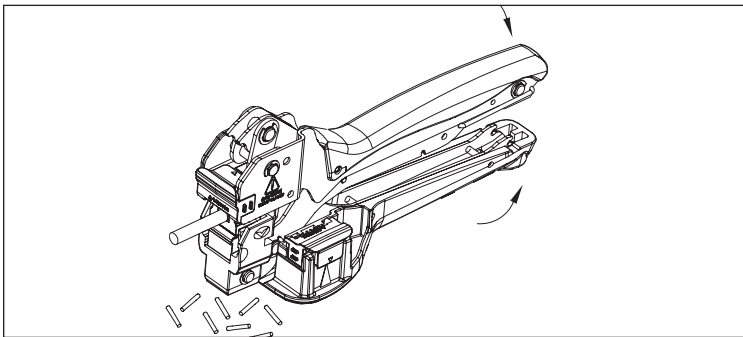
## Terminating EZ Modules.



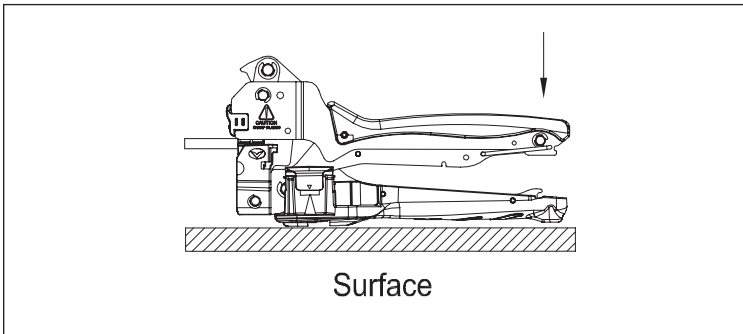
Step 1.



Step 2.

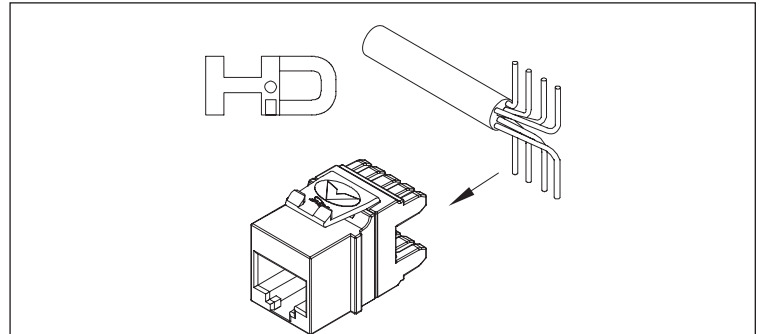


Step 3A. Hand held termination

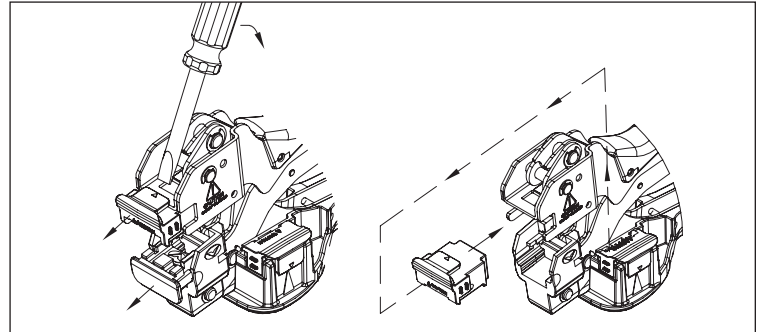


Step 3B. Terminate on the floor or flat surface.

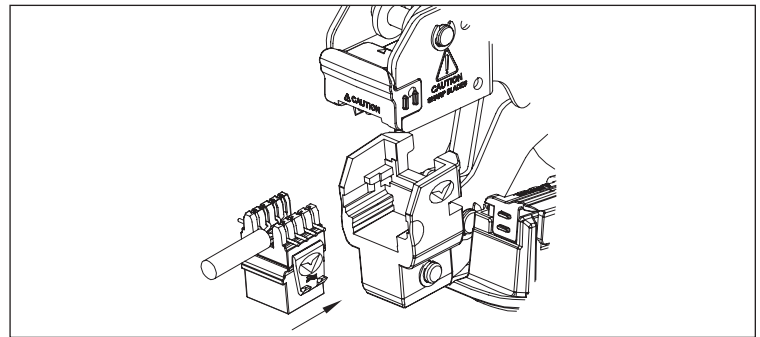
## Terminating HD Modules.



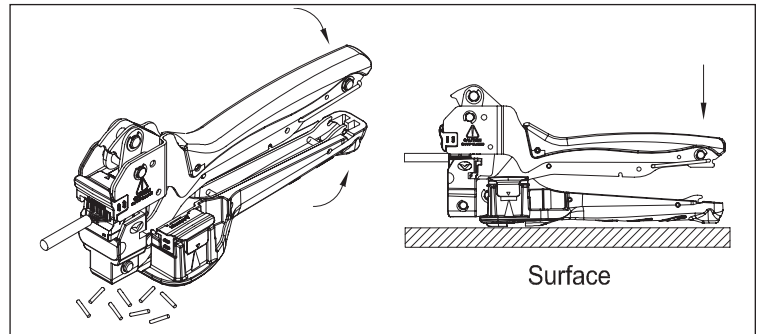
Step 1.



Step 2.



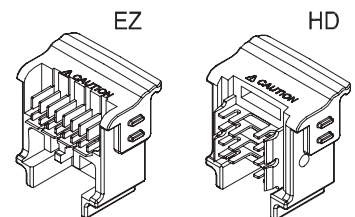
Step 3.



Step 4.

**JackEasy**  
Termination Tool

Replacement Head Package  
ICACS8WUEH  
Includes both blades for EZ and HD



Premium **Products** • Proven **Performance** • Competitive **Prices...ICC**

Technical Support: **888-ASK-4ICC (275-4422)** • E-mail: **csr@icc.com** • Go on-line: **icc.com**